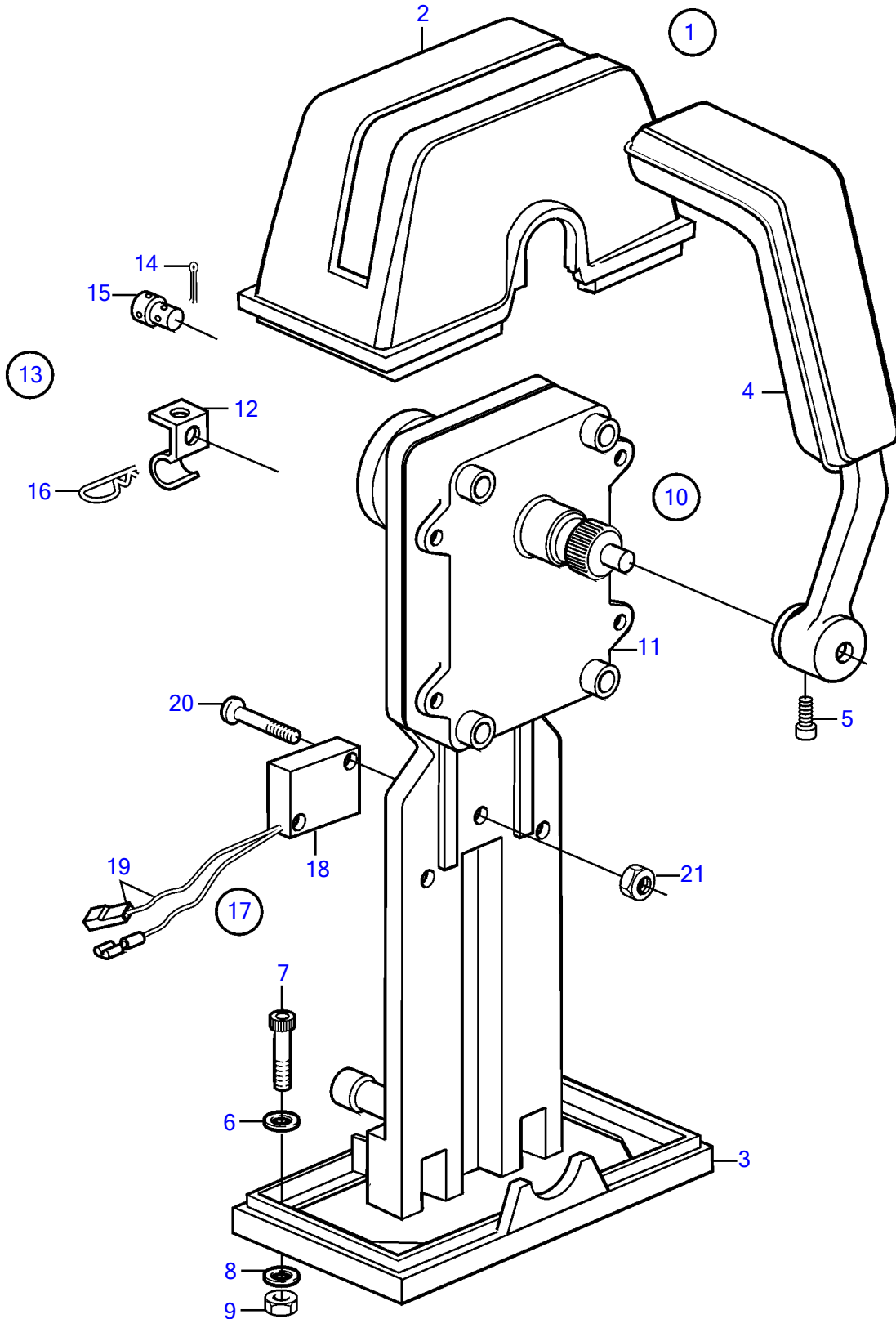


TAMD71B, TAMD73P-A, TAMD73WJ-A



TAMD71B, TAMD73P-A, TAMD73WJ-A

REF	PART NO.	QTY	DESCRIPTION	SEE SEC.	NOTES
1	851603	1	Mounting kit		For twin installation.
2	850824	1	• Cover		
3	839479	1	• Plate		
4	839475	2	• Hand lever		
5	839693	2	• Lock screw		
6	940090	2	• Washer		
7	947671	6	• Hex. socket screw		
8	960138	6	• Washer		
9	955780	6	• Hexagon nut		
10	851600	2	Control		
11	(851666)	2	• Control mechanism		Obsolete part
12	853423	2	• Retainer		
13	(851712)	2	• Connector kit		Obsolete part
14	17253	4	• • Split pin		
15	839638	4	• • Cube		
16	852924	2	• • Clip		
17	855352	2	Neutral position con		
18	850200	2	• Toggle switch		
19		X	• • cables and terminals	1963	
20	946177	4	• Cross recessed screw		
21	947536	4	• Hexagon nut		