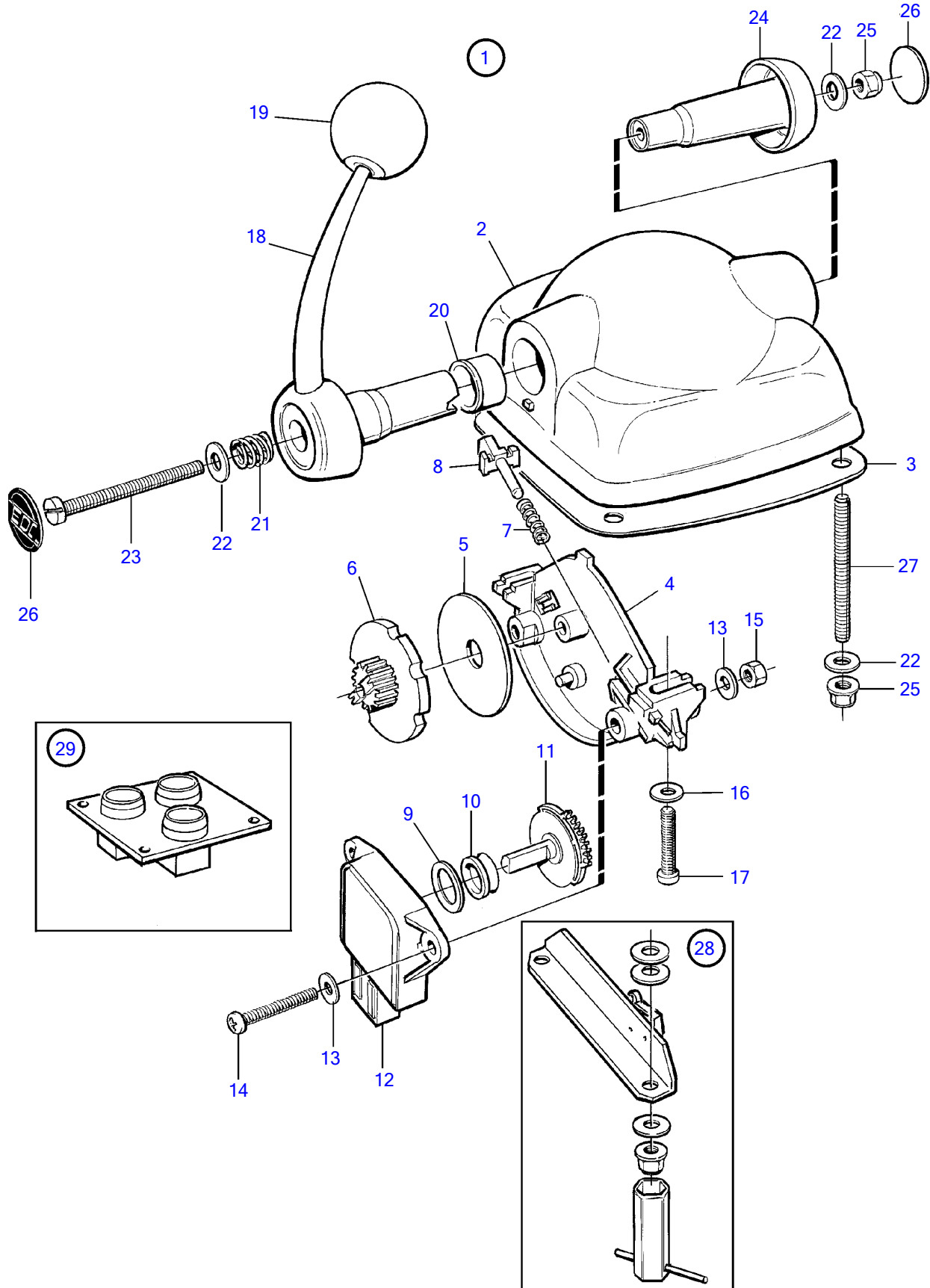


TAMD73P-A



TAMD73P-A

REF	PART NO.	QTY	DESCRIPTION	SEE SEC.	NOTES
1	874734	1	Control		Single installation, (1140657)
2		1	• Control housing		
3	3581674	1	• Gasket		
4		1	• Plate		
5	3581666	1	• Friction washer		
6		1	• Disc		
7		1	• Spring		
8		1	• Ball		
9		1	• Spacer ring		
10	3581676	1	• Ring		
11	(3581668)	1	• Gear		Obsolete part
12	1336385	1	• Potentiometer		
13		4	• Washer		
14	3581678	2	• Screw		
15	3581680	2	• Nut		
16		2	• Washer		
17	3581681	2	• Screw		
18		1	• Lever		
19	3581675	1	• Ball		
20	(3581673)	1	• Bearing		Obsolete part
21		1	• Spring		
22		6	• Washer		
23		1	• Screw		
24	3581687	1	• Plug		
25	3581686	5	• Nut		
26	3581669	2	• Decal		
27		4	• Stud		
28	3818851	1	Microswitch		(873870)
29		1	Control panel		
			•		Cable harness without moisture proof contacts and panel with 2 or 3 holes.
			•	4372	
			•		Cable harness with moisture proof contacts and panel with 3 holes.
			•	3580	