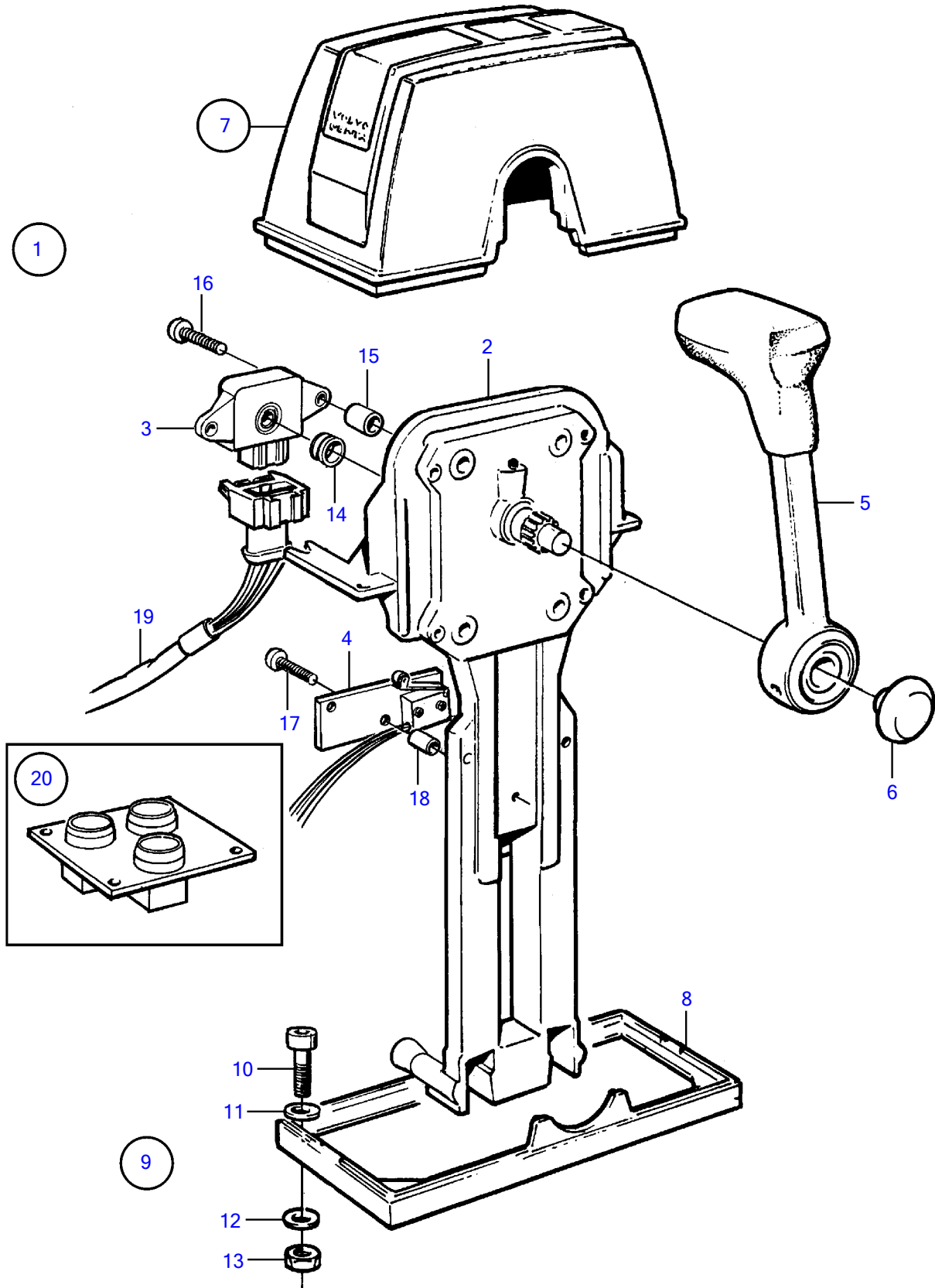


TAMD73P-A, TAMD73WJ-A



TAMD73P-A, TAMD73WJ-A

REF	PART NO.	QTY	DESCRIPTION	SEE SEC.	NOTES
1	1140634	1	Control		Can be upgraded with kit 873867., Repl by 873863 Single installation
	873863	1	Control		
2	873862	1	• Control mechanism		
3	1336385	1	• • Potentiometer		
4	873867	1	• • Microswitch		
5	852347	1	• Hand lever		
			• •		
			•	266	
6	853004	1	• Push button		
7	1140637	1	• Cover		
8	839474	1	• • Plate		
9		1	• Screw kit		
10	947671	4	• • Hex. socket screw		
11	940090	4	• • Washer		
12	960138	4	• • Washer		
13	955780	4	• • Hexagon nut		
14	943342	1	Sealing ring		
15	3825525	2	Spacer sleeve		
16	969518	2	6 point socket screw		
17	946177	2	Cross recessed screw		
18		2	Spacer		
19		1	Cable harness	1848	
20		1	Control panel		
			•		
			•	1848	