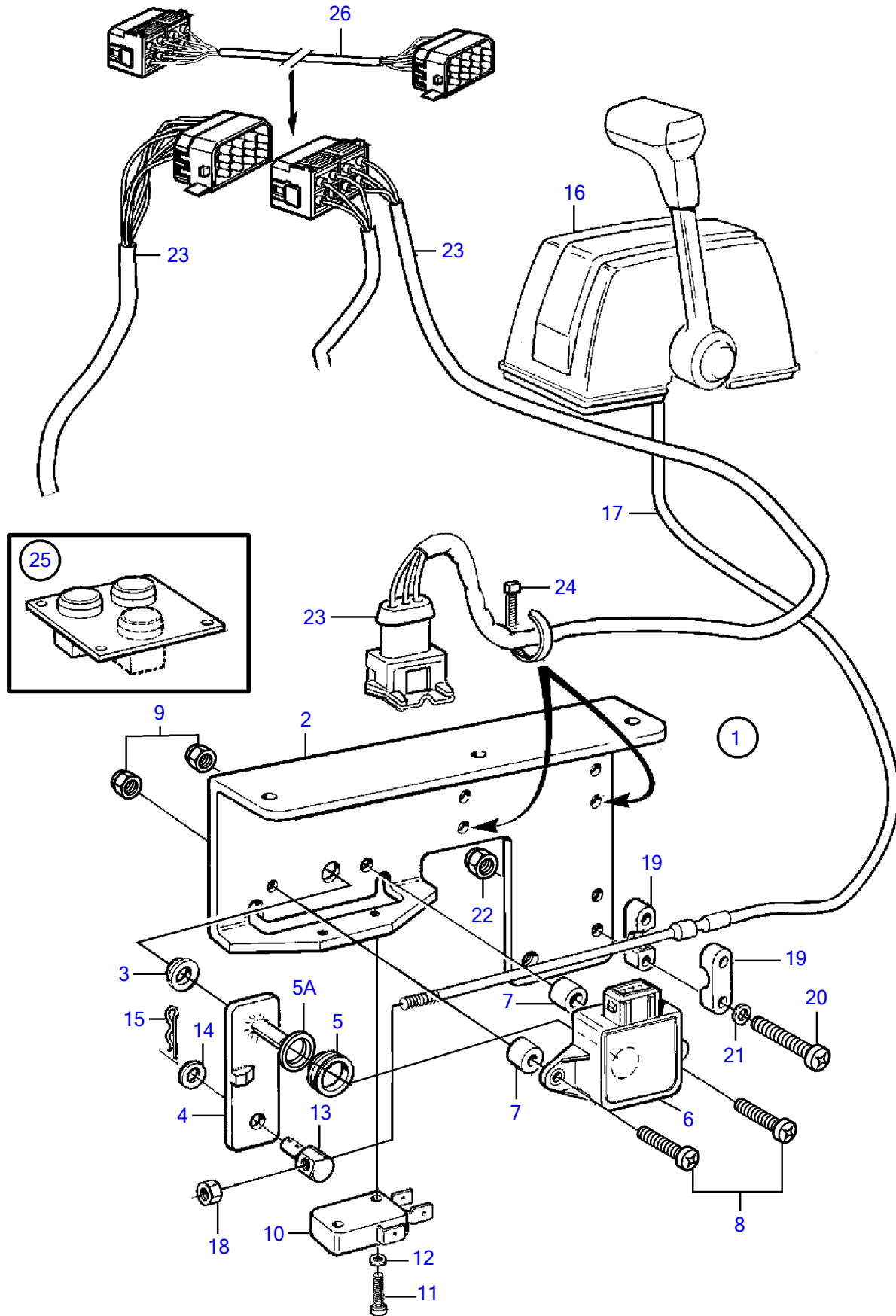


TAMD73P-A



TAMD73P-A

REF	PART NO.	QTY	DESCRIPTION	SEE SEC.	NOTES
1	3829694	1	Adapter		Repl by 3842182
	3842182	1	Adapter		
2		1	• Bracket		
3	3829680	1	• Bushing		
4	3825366	1	• Intermediate lever		
5	943342	1	• Sealing ring		
5A	3829681	1	• Washer		
6	1336385	1	• Potentiometer		
7	3825525	2	• Spacer sleeve		
8	969518	2	• 6 point socket screw		M4x25
9	963103	2	• Lock nut		
10	850200	1	• Toggle switch		Neutral position contact
11	956049	2	• Cross recessed screw		
12	955890	2	• Washer		
13	814082	1	• Cube		
14	955892	1	• Washer		
15	664822	1	• Split pin		
16		1	Control		
17		1	Control cable	231	
18		1	• Nut		
19	850361	2	Cable attachment		
20	956081	2	Cross recessed screw		M5x25
21	940090	2	Washer		
22	949874	2	Flange lock nut		(946577)
23		1	Cable harness		Cable harness without moisture proof contacts and panel with 2 or 3 holes.
		1	Cable harness		Cable harness with moisture proof contacts and panel with 3 holes.
24	948211	2	Cable tie		
25		1	Control panel		
			•		Cable harness without moisture proof contacts and panel with 2 or 3 holes.
			•	3580	
			•		Cable harness with moisture proof contacts and panel with 3 holes.
			•	4372	
26	873908	1	Extension cable'verl		Cable harness with moisture proof contacts and panel with 3 holes., L=5000mm
	873909	1	Extension cable'verl		Cable harness with moisture proof contacts and panel with 3 holes., L=9000mm