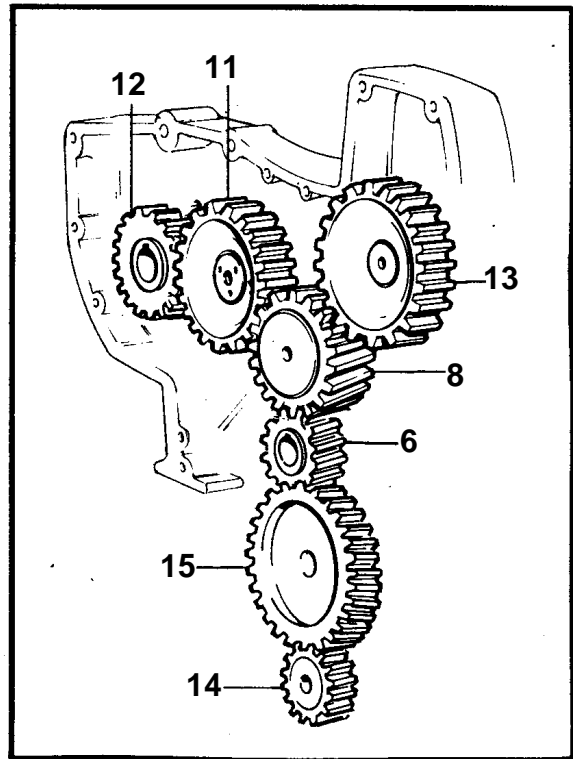
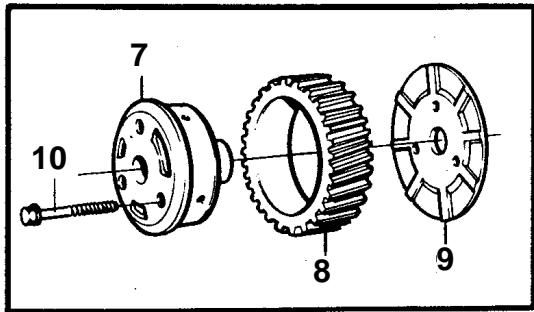
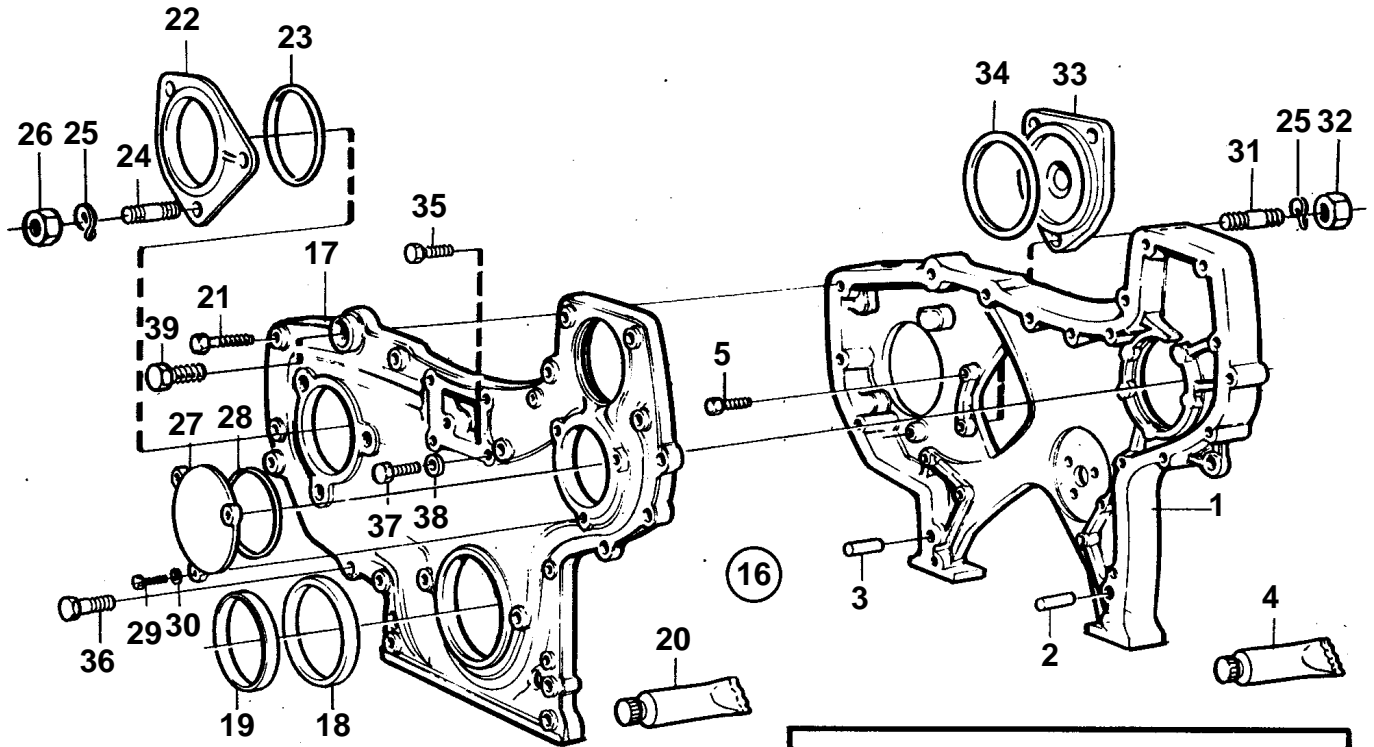


TAMD71A



TAMD71A

REF	PART NO.	QTY	DESCRIPTION	SEE SEC.	NOTES
1	471505	1	Timing gear casing		
2	941511	1	Pin		
3	941510	1	Pin		
4	1161231	X	Sealant		
5	471534	2	Screw		L=28mm
	471535	2	Screw	OP	L=58mm
6	471528	1	Gear		
			Bulletin 45-01	45-01-EN	Timing Gears, 71, 100, 121
7	422766	1	Spindle		
8	8192518	1	Gear		(471552)
9	478951	1	Thrust washer		(467529)
10	471554	3	Screw		
11		1	Gearcamshaft	327	
12	820637	1	Gear, sea water pump		
13	478297	1	Gear, fuel inj. pump		NITRO
			Bulletin 45-01	45-01-EN	Timing Gears, 71, 100, 121
14	471941	1	Gear		
15	471942	1	Gear		
16		1	Cover		
17	848421	1	· Cover		
18	477118	1	· Sealing ring		
19		1	· Seal		REPL BY 477118, TAMD71A
20	1161231	X	Sealant		
21	965182	7	Flange screw		L=80mm
	965216	1	Screw		L=55mm
	948217	2	Flange screw		L=45mm
	947760	7	Flange screw		L=40mm
22	848543	1	Intermediate section, sea water pump		SN-1101044435/XXXXX. For sea water pump 846354 and 864163. SEE GROUP 26
23	925257	1	O-ring		
24	967951	3	Stud		
25	941911	6	Spring washer		
26	971073	3	Nut		
27	471559	1	Cover		
28	925257	1	O-ring		
29	945444	3	Flange screw		
30	941907	3	Spring washer		
31	967951	3	Stud		
32	971073	3	Nut		
33	420178	1	Cover		
34	975610	1	O-ring		
35	100338	2	Screw		L=95mm
36	965220	1	Flange screw		L=45mm
37	946471	2	Screw		L=16mm
38	947281	2	Gasket		
39	965227	1	Screw		L=55mm, EARLY TYPE
		1	Tachometer sensor		SEE GROUP 30