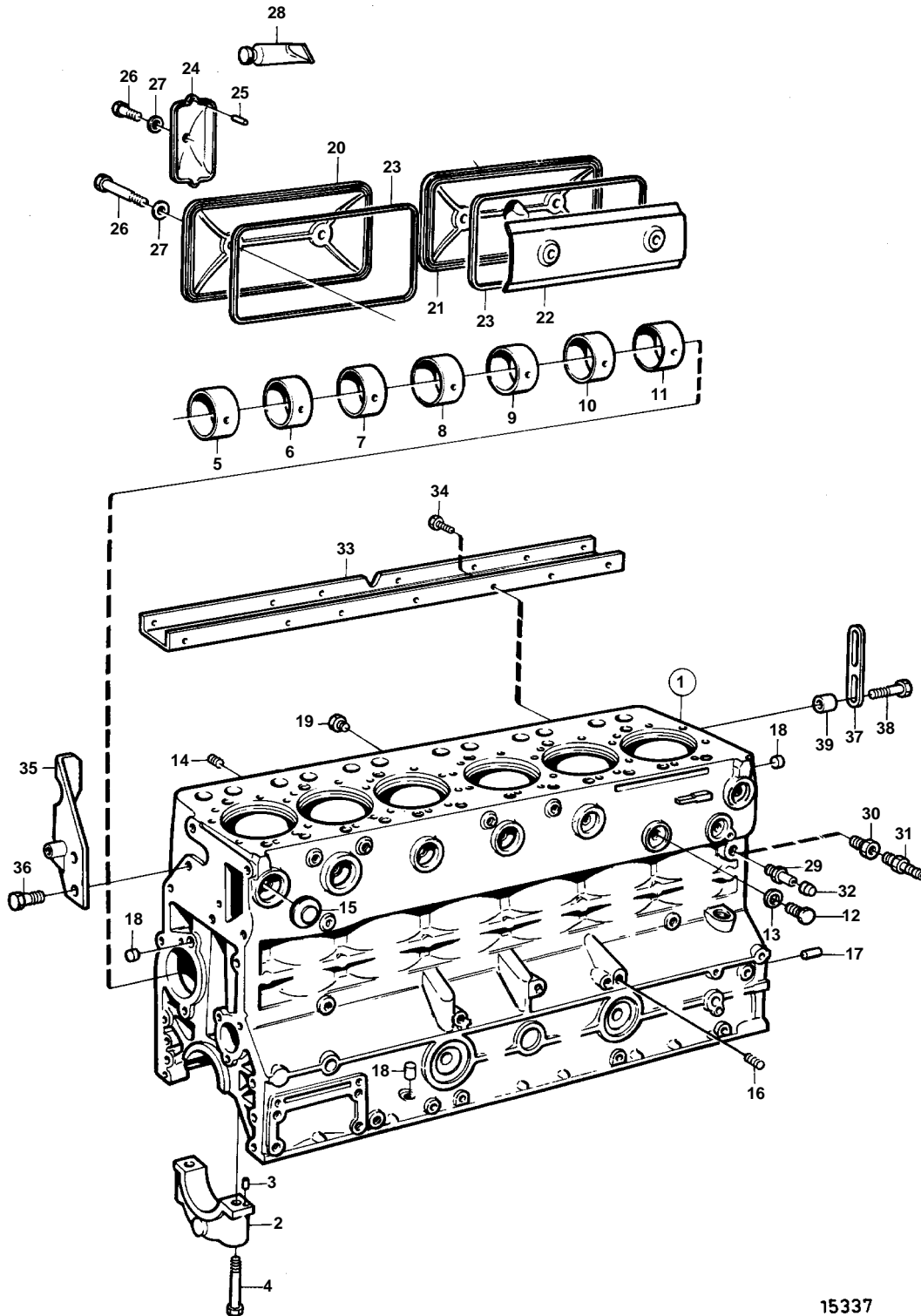


TAMD71A, TAMD72A



15337

## TAMD71A, TAMD72A

REF	PART NO.	QTY	DESCRIPTION	NOTES
1	471400	1	Cylinder block	REPLACED BY 477910
	477910	1	Cylinder block	REPLACED BY 477990
	477990	1	Cylinder block	
2		7	· Main bearing cap	
3	422426	1	· Pin	
4	465899	14	· Screw	
5	422076	1	· Bushing	
6	422077	1	· Bushing	
7	422078	1	· Bushing	
8	422079	1	· Bushing	
9	422080	1	· Bushing	
10	422081	1	· Bushing	
11	422082	1	· Bushing	
12	467367	1	· Plug	EARLY TYPE
13	469328	1	· Gasket	EARLY TYPE
14	422369	2	· Plug	
15	968955	6	· Expansion plug	
16	968145	1	· Plug	
17	191171	2	· Pin	
18	955082	6	· Cap plug	
	955082	2	Cap plug	
19	479976	1	Plug	
20	420120	1	Inspection cover	
21	420121	1	Inspection cover	
22	471858	1	Splash plate	
23	421121	2	Gasket	
24	471854	1	Cover	
25		1	Spring pin	
26	471855	5	Screw	
27	471856	5	Sealing ring	
28	1161231	X	Sealant	
29	946121	1	Nipple	TAMD71A, EARLY TYPE. Replaced by 1 ea nipple 479954 and 1 ea tap 947893.
30	479954	1	Nipple	
31	947893	1	Drain cock	
32	476279	1	Protective cap	TAMD71A, EARLY TYPE
33	865779	1	Bracket	(848103)
34	959220	7	Screw	
35	847932	1	Lifting eye	
36	965191	2	Screw	
37		1	Lifting eye	
38	965225	2	Flange screw	
39	847237	1	Sleeve	