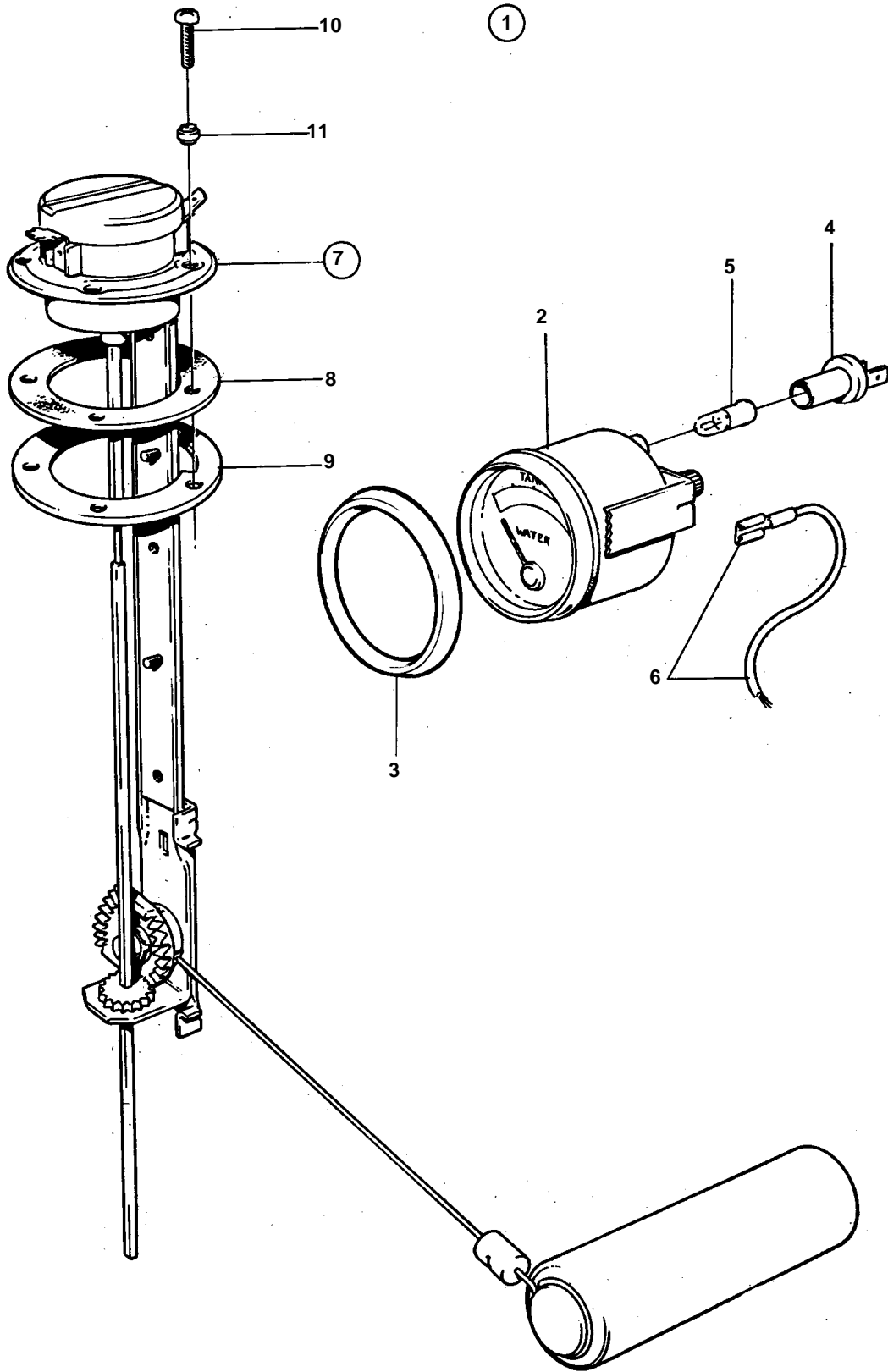


COMMON



COMMON

REF	PART NO.	QTY	DESCRIPTION	SEE SEC.	NOTES
1	828717	1			24V
2	828636	1	· Tank gauge	090-0812	
3	828542	1	· Front ring	090-0812	
4	808175	1	· Bulb socket		
5	182059	1	· Bulb		
6		X	· CABLES AND TERMINALS		SEE GROUP 3
7	834389	1	· Sender		
8	89865	1	· · Gasket		
9	834480	1	· · Flange		
10	956078	4	· · Screw		L = 16 MM
	956081	1	· · Screw		L = 25 MM
11	834481	5	· · Gasket		