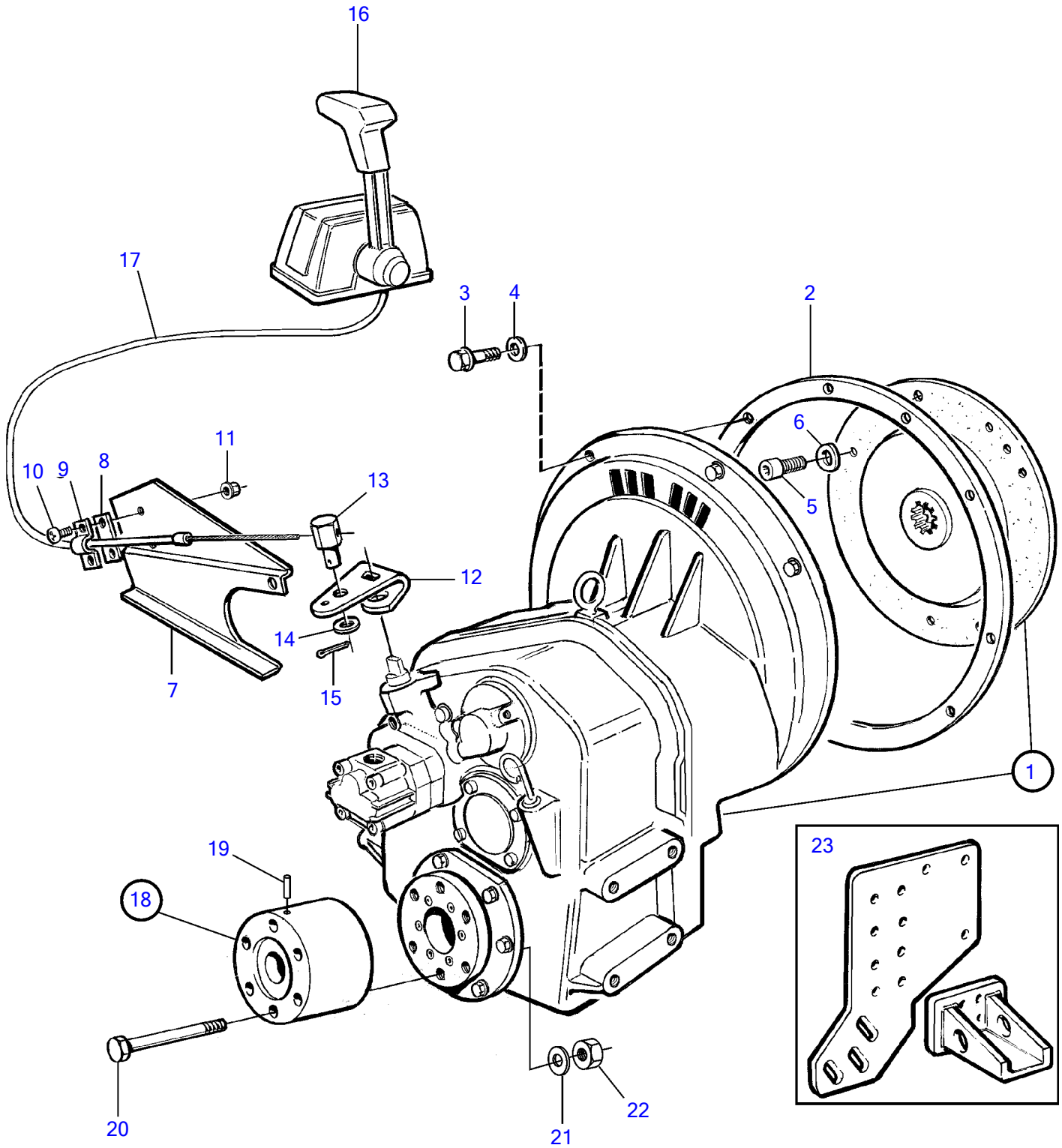


TAMD63L-A, TAMD63P-A



TAMD63L-A, TAMD63P-A

REF	PART NO.	QTY	DESCRIPTION	NOTES
1		1	Reversing gear • parts not sold separately	Ratio -1.88:1, Ratio 1.53:1
2	862623	1	Gasket	
3	955535	10	Hexagon screw	
4	942336	10	Spring washer	
5	956584	8	Hex. socket screw	
6	942336	8	Spring washer	
7		1	Bracket	
8	819068	1	Washer	
9	21471054	1	Bracket	For control cable 333, 33C.
	6853782	1	Cable clamp	For control cable 443, 43C.
10	956079	2	Cross recessed screw	
11	963104	2	Lock nut	
12		1	Bracket	
13	853217	1	Cube	
14	940191	1	Washer	
15	17253	1	Split pin	
16		X	Control	See group 27
17		X	Control cable	See group 27
18	842106	1	Companion flange	
19	907619	1	Taper pin	
20	955739	6	Hexagon screw	
21	941912	6	Spring washer	
22	950378	6	Lock nut	
23		2	Engine suspension	See group 21