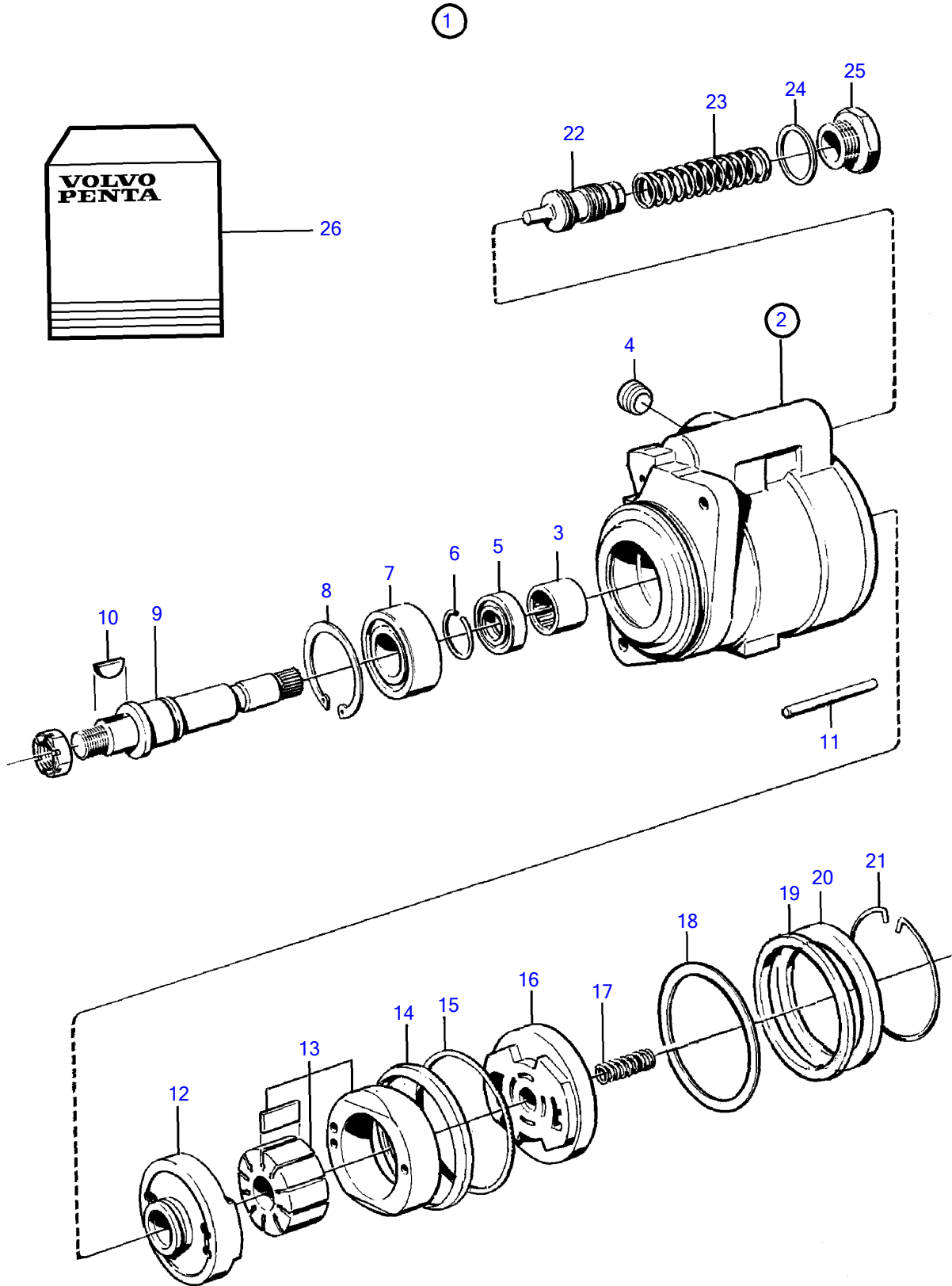


TAMD63L-A, TAMD63P-A



TAMD63L-A, TAMD63P-A

REF	PART NO.	QTY	DESCRIPTION	NOTES
1	1589925	1	Pump	
2		1	• Housing	
3	183582	1	• • Needle bearing	
4		1	• • Plug	
5		1	• Sealing ring	Included in gasket kit.
6		2	• Lock ring	Included in small parts kit.
7	3825779	1	• Ball bearing	
8		1	• Lock ring	Included in small parts kit.
9	1695592	1	• Shaft	
10	1505357	1	• Woodruff key	Included in small parts kit.
11		1	• Pin	
12		1	• Plate	
13		1	• Rotor kit	
14		1	• Support ring	Included in gasket kit.
15		1	• O-ring	Included in gasket kit.
16		1	• Plate	
17		1	• Spring	Included in small parts kit.
18		1	• O-ring	
19		1	• Support ring	Included in gasket kit.
20		1	• Lock	
21		1	• Lock ring	Included in small parts kit.
22		1	• Piston	
23	(681428)	1	• Spring	Obsolete part
24	(681430)	1	• Gasket	Included in small parts kit., Obsolete part
25	(681429)	1	• Plug	Obsolete part
26	271561	1	Gasket kit	
	276174	1	Small parts kit	