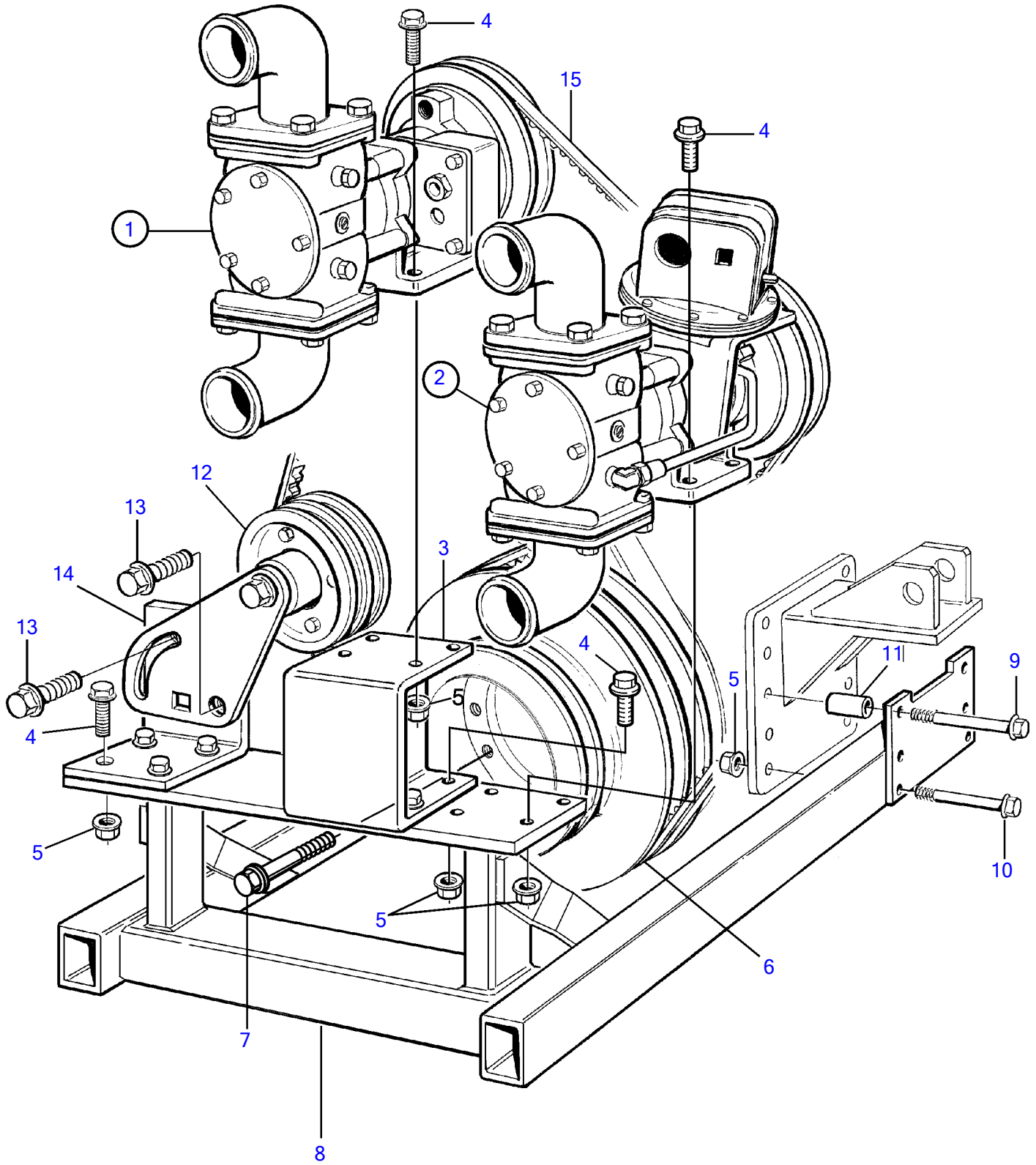


TAMD63L-A, TAMD63P-A



TAMD63L-A, TAMD63P-A

REF	PART NO.	QTY	DESCRIPTION	SEE SEC.	NOTES
1	846104	1	Bilge pump		
			.	720	
2	846104	1	Bilge pump		
			.	721	
3		1	Bracket		Used when two pumps are mounted.
4	946472	12	Flange screw		
5	971098	12	Flange lock nut		
6	3829028	1	Pulley		
7	8192579	8	Screw		
8			Bridge		
9	965197	2	Flange screw		P
	946473	2	Flange screw		S.B
10	965223	4	Flange screw		
11	824334	4	Spacer sleeve		
12		1	Belt tensioner	4011	
13	965191	2	Flange screw		
14		1	Bracket		
15	3829287	1	V-belt		Used when one pump is mounted.
	3829288	1	V-belt		Used when two pumps are mounted.