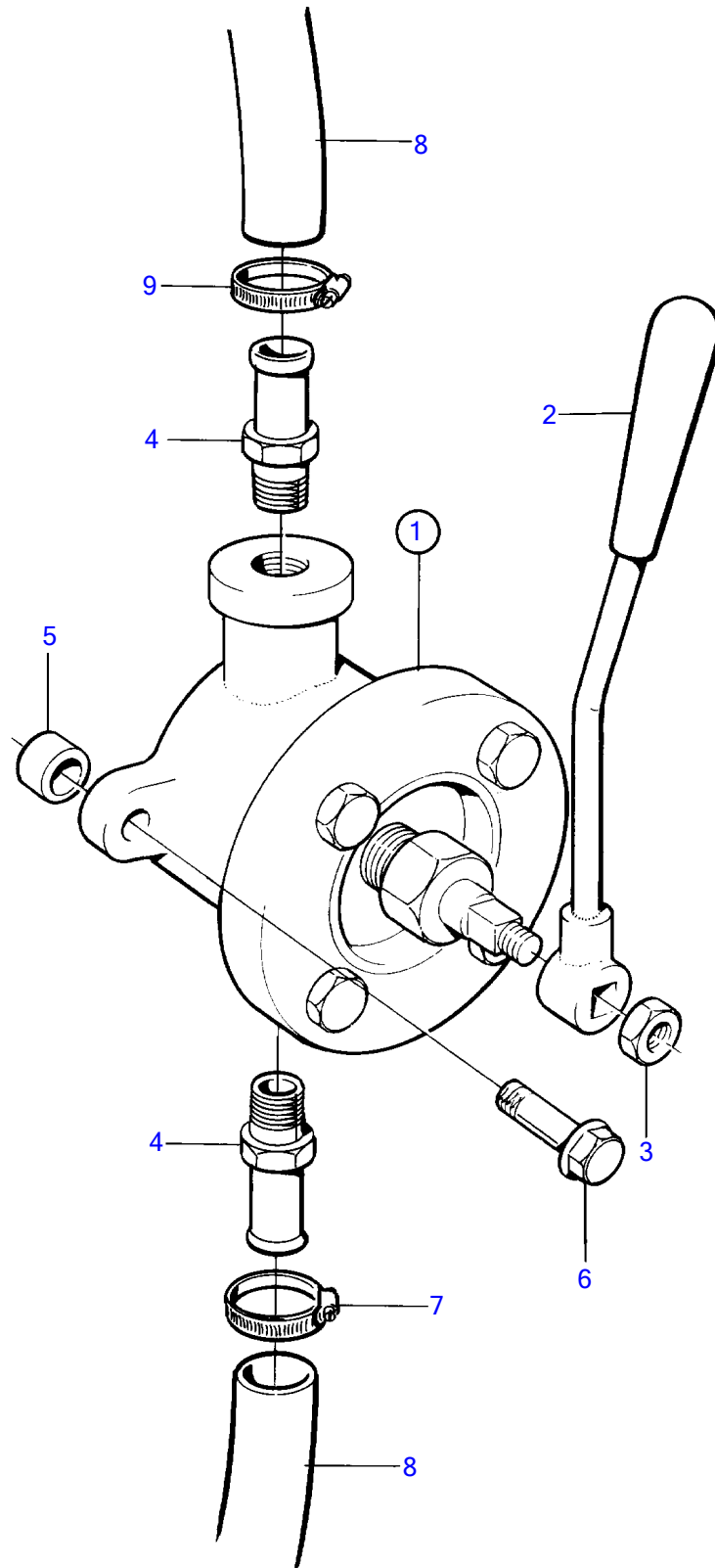


TAMD63L-A, TAMD63P-A



15194

TAMD63L-A, TAMD63P-A

REF	PART NO.	QTY	DESCRIPTION	NOTES
1	805999	1	Oil bilge pump	
2		1	• Handle	
3	955783	1	Hexagon nut	
4	479978	2	Nipple	(961654)
5	845884	2	Spacer sleeve	L=30mm
6	965181	2	Flange screw	
7	961665	1	Hose clamp	
8	941522	X	Hose	
9	961665	1	Hose clamp	