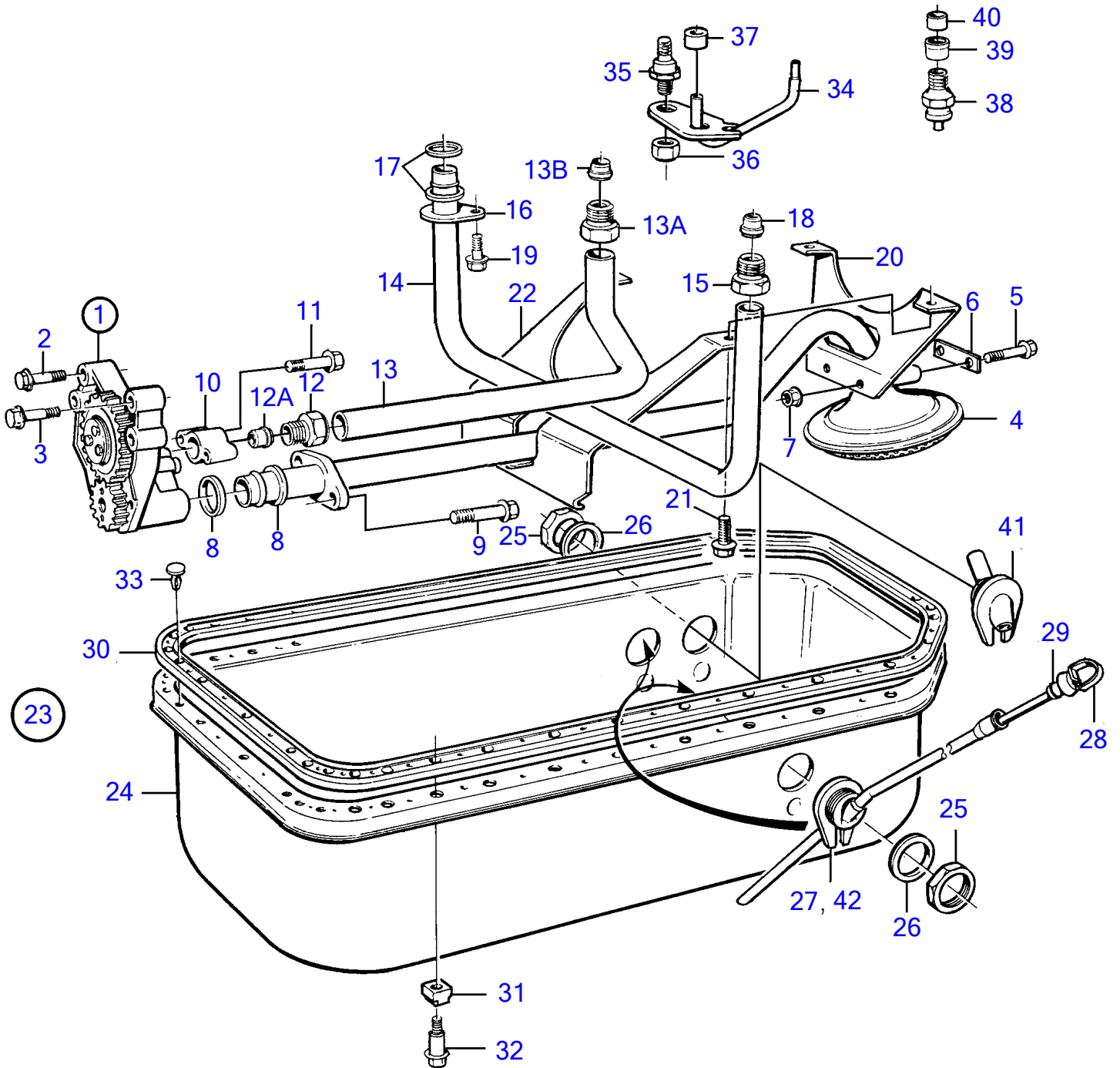


TAMD63L-A, TAMD63P-A



23564

## TAMD63L-A, TAMD63P-A

REF	PART NO.	QTY	DESCRIPTION	SEE SEC.	NOTES
1	477547	1	Oil pump		
			•	1036	
			•		
2	471513	4	Screw		
3	471734	2	Screw		
4	3830716	1	Suction pipe		
5	965217	2	Flange screw		
6	421750	1	Square washer		
7	945408	2	Flange nut		(968862)
8	470383	2	Sealing ring		
9	965183	2	Flange screw		(965182)
10	465846	1	Spacer		
11	968553	2	Flange screw		(973080)
12	471588	1	Oil feed pipe		
12A	980786	1	Ferrule		
13	420994	1	Oil pressure pipe		(864765)
13A	471595	1	• Pressure pipe connec		(471588)
13B	980786	1	• Ferrule		
14	420996	1	Oil pressure pipe		(471594)
15	471595	1	• Pressure pipe connec		(471588)
16	471746	1	• Clamp		
17	471956	2	• Gasket		
18	980786	1	• Ferrule		
19	946440	1	Flange screw		
20	847698	1	Bracket		
21	946173	2	Flange screw		
22	3825820	1	Baffle plate		(866659)
23		1	Sump		Compl
24	865755	1	• Sump		
25	468948	3	• Nut		
26	468947	3	• Sealing ring		
27	3818664	2	• Pipe		
28	866746	2	• Dipstick		
29	925054	2	• O-ring		
30	420941	1	Gasket		
31	420991	34	Rubber cushion		
32	1556083	34	Flange screw		
33	943353	20	Plastic rivet		
34	420628	6	Piston cooling jet		
35	471596	6	Stud		
36	948570	6	Lock nut		
37	466874	6	Sealing ring		
38	864533	1	Reduction valve		
39	864531	1	Tube		
40	3839159	1	Pipe		
41	888477	1	Pipe		S.B
42	3818681	1	Pipe		S.B