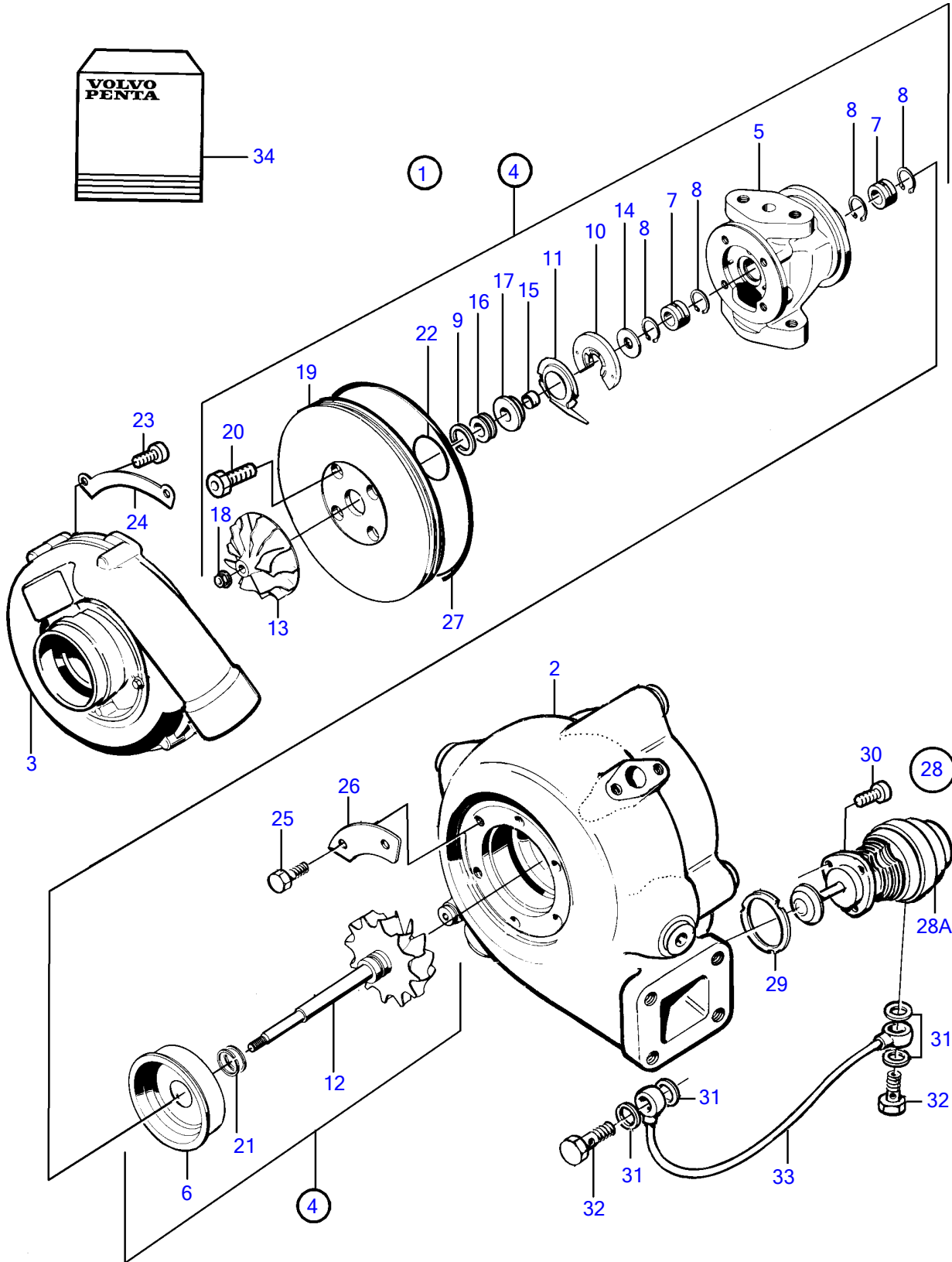


TAMD63P-A



TAMD63P-A

REF	PART NO.	QTY	DESCRIPTION	NOTES
2		1	Turbine housing	
3		1	Compressor housing	
4		1	Rotor unit	
5		1	• Bearing housing	
6		1	• Shield	
7		2	• Bushing	Included in repair kit 3830711.
8		4	• Lock ring	Included in repair kit 3830711.
9		1	• Piston ring	Included in repair kit 3830711.
10		1	• Thrust bearing	Included in repair kit 3830711.
11		1	• Oil deflector	Included in repair kit 3830711.
12		1	• Turbine rotor	
13		1	• Compressor wheel	
14		1	• Thrust collar	
15		1	• Sleeve	
16		1	• Bushing	
17		1	• Seal	
18		1	• Nut	Included in repair kit 3830711.
19		1	• Thrust plate	
20	845829	4	• Screw	Included in repair kit 3830711.
21		2	• Piston ring	Included in repair kit 3830711.
22		1	• O-ring	Included in repair kit 3830711.
23	955270	6	Hexagon screw	Included in repair kit 3830711.
24		3	Washer	Included in repair kit 3830711.
25	955269	6	Hexagon screw	Included in repair kit 3830711.
26		3	Segment	Included in repair kit 3830711.
27	847643	1	O-ring	Included in repair kit 3830711.
28	3828598	1	Valve, kit	
28A		1	• Valve	
29	864778	1	• Gasket	
30	942001	3	• Hex. socket screw	
31	947620	4	• Gasket	
32	74033	2	• Hollow screw	
33	3825126	1	Pressure oil line	
34	866286	1	Overhaul kit	(849590)