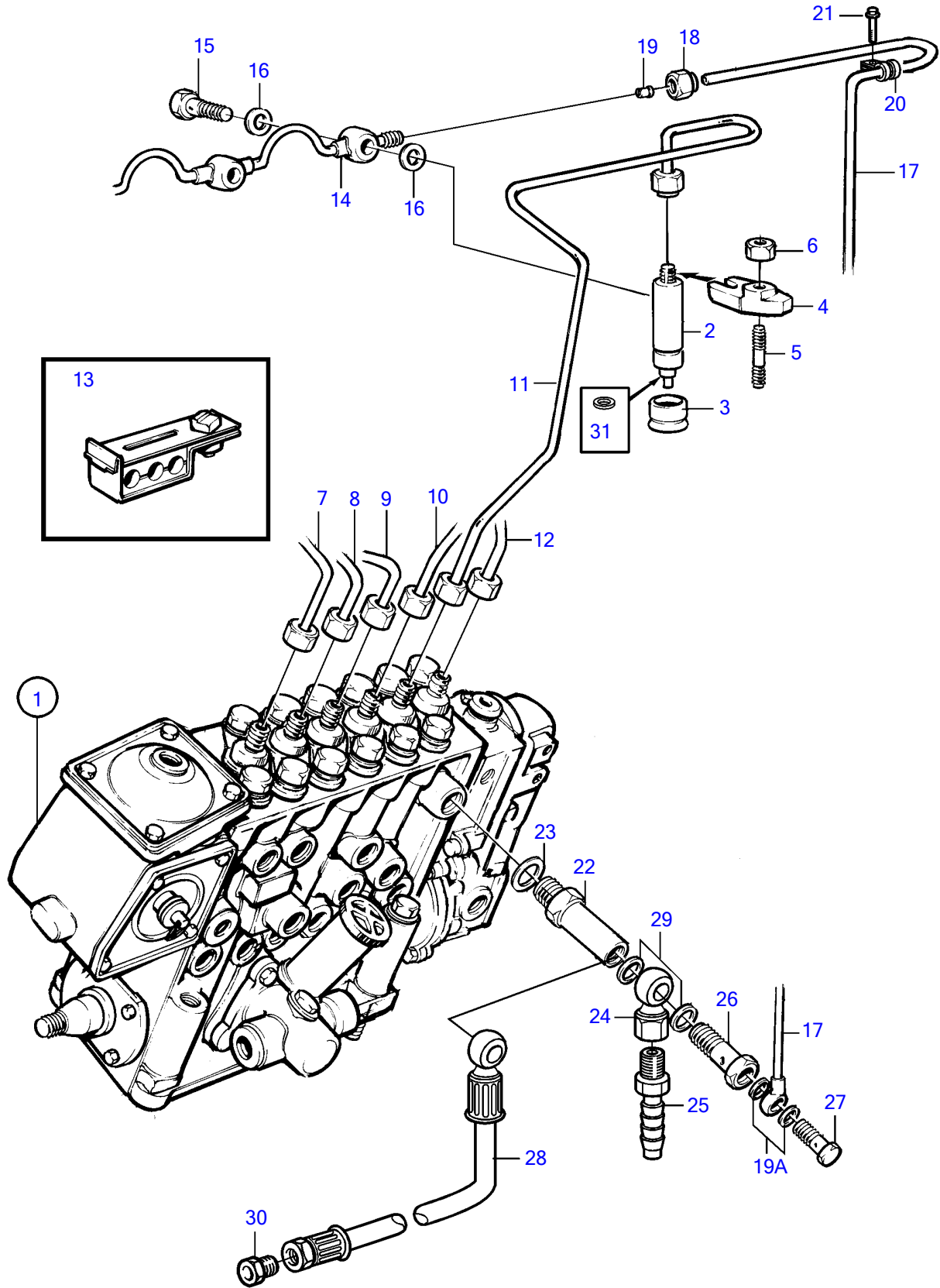


TAMD63L-A



TAMD63L-A

REF	PART NO.	QTY	DESCRIPTION	SEE SEC.	NOTES
1		1	Injection pump	475	
2	864827	6	Injector		SN-XXXXXXXXXXXX/171158
	3803257	6	Injector, exch		SN-XXXXXXXXXXXX/171158
			.		
			.	5245	
	3827030	6	Injector		SNXXXXXXXXXXXX/171159-
	3803510	6	Injector, exch		SNXXXXXXXXXXXX/171159-
			.		
			.	5245	
			.		
			.	3927	
			.		
			.	3927	
			.		
			.	5245	
3	469455	6	Sealing ring		
4	469797	6	Yoke		
5	1545022	6	Stud		
6	971095	6	Flange nut		
7	3825217	1	Delivery pipe		Cyl no 1
8	3825218	1	Delivery pipe		Cyl no 2
9	3825219	1	Delivery pipe		Cyl no 3
10	3825220	1	Delivery pipe		Cyl no 4
11	3825221	1	Delivery pipe		Cyl no 5
12	3825222	1	Delivery pipe		Cyl no 6
13	8194351	6	Clamp		2 pipes
	8194352	1	Clamp		3 pipes
	8194353	1	Clamp		4 pipes
14	465863	1	Leak-off line		
15	74033	6	Hollow screw		
16	947620	12	Gasket		
17	876818	1	Oil return pipe		(3825847)
18	956980	1	• Fitting nut		
19	956966	1	• Ferrule		
19A	947620	2	• Gasket		
20	952622	1	Clamp		
21	967949	1	Flange screw		(965175)
22	3825154	1	Overflow valve		
23	11996	1	Gasket		
24	861101	1	Banjo nipple		
25	3825000	1	Hose nipple		
26	16496	1	Hollow screw		
27	74033	1	Hollow screw		
28	3830312	1	Hose		
29	969011	2	Gasket		
30	22753	1	Nipple		