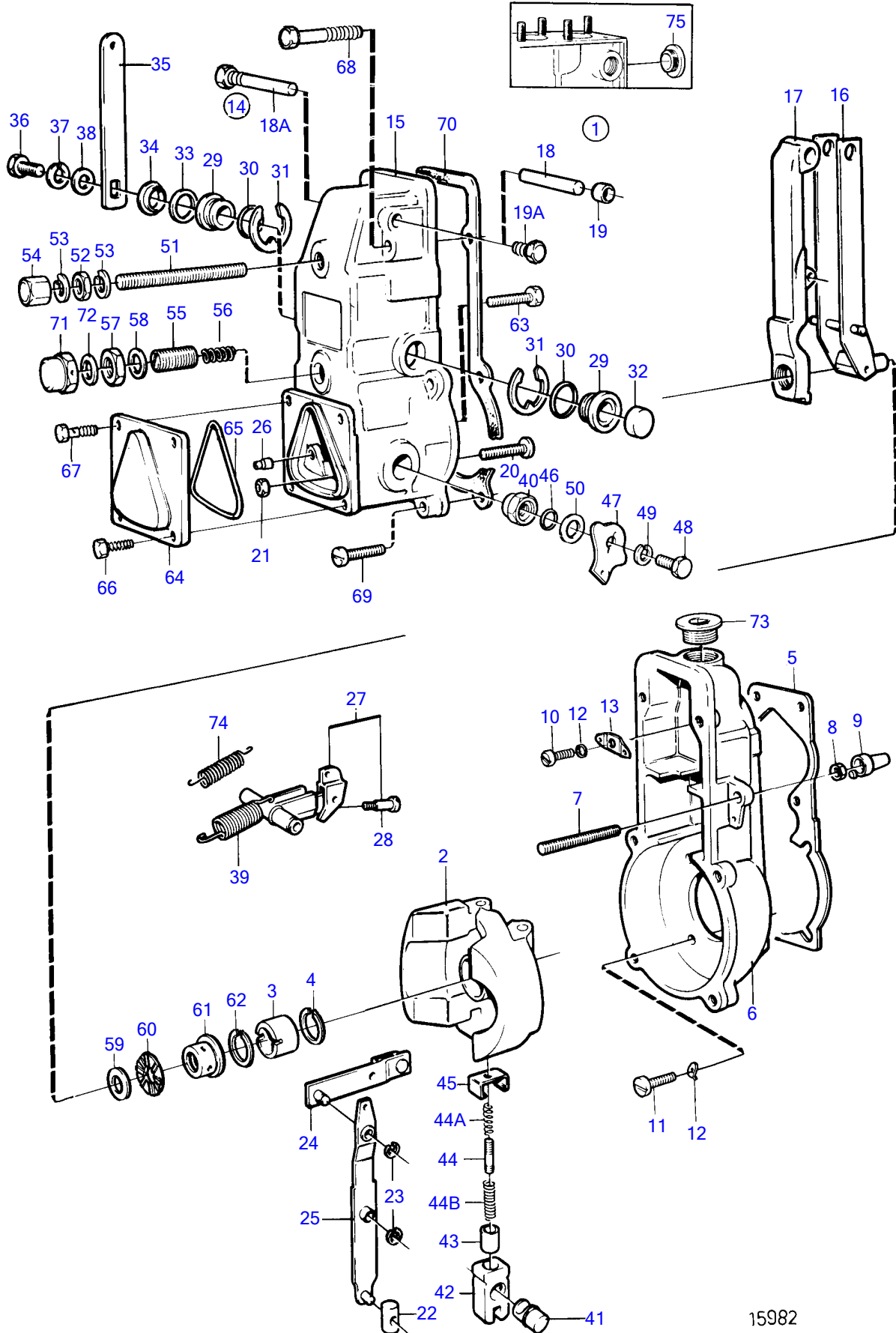


TAMD63L-A, TAMD63P-A



TAMD63L-A, TAMD63P-A

| REF | PART NO. | QTY | DESCRIPTION | NOTES |
|-----|-----------|-----|------------------------|--|
| 1 | (864751) | 1 | Governor | Obsolete part |
| 2 | 848220 | 1 | • Regulator weight | |
| 3 | (238994) | 1 | • Round nut | Obsolete part |
| 4 | (238995) | 1 | • Spring washer | Obsolete part |
| 5 | 1698168 | 1 | • Gasket | |
| 6 | (870907) | 1 | • Regulator housing | Obsolete part |
| 7 | (243451) | 1 | • Adjusting screw | Obsolete part |
| 8 | 940197 | 1 | • Hexagon nut | |
| 9 | | 1 | • Cover | |
| 10 | 969423 | 4 | • 6 point socket screw | L=25mm (956097) |
| 11 | 956095 | 4 | • Cross recessed screw | L=20mm |
| 12 | 949607 | 8 | • Spring washer | |
| 13 | (870908) | 1 | • Bracket | Obsolete part |
| 14 | | 1 | • Regulator cover | |
| 15 | | 1 | • • Lock | Early type |
| | (862802) | 1 | • • Regulator cover | Only for screw 862807 and lock screw 862807., Late type, Obsolete part |
| 16 | (848760) | 1 | • • Arm | Obsolete part |
| 17 | (848757) | 1 | • • Tensioning arm | Obsolete part |
| 18 | 239017 | 1 | • • Shaft | |
| 18A | 862806 | 1 | • • Screw | Only for cover 862802. |
| 19 | 240374 | 2 | • • Plug | |
| 19A | (862807) | 1 | • • Lock screw | Only for cover 862802., Obsolete part |
| 20 | (239021) | 1 | • • Screw | Obsolete part |
| 21 | 940197 | 1 | • • Hexagon nut | |
| 22 | (240376) | 1 | • • Cube | Obsolete part |
| 23 | 951667 | 2 | • • E-circlip | (848218) |
| 24 | (845008) | 1 | • • Lever | Obsolete part |
| 25 | | 1 | • • • Lever | |
| 26 | (848756) | 1 | • • Nut | Obsolete part |
| 27 | (870887) | 1 | • • Swivel arm | Obsolete part |
| 28 | | 1 | • • Screw | |
| 29 | (240382) | 2 | • • Bearing bushing | Obsolete part |
| 30 | 864475 | 2 | • • O-ring | |
| 31 | 942796 | 2 | • • E-circlip | |
| 32 | (239037) | 1 | • • Cover | Obsolete part |
| 33 | 864476 | 1 | • • O-ring | |
| 34 | (240046) | X | • • Adjusting washer | TH=0,30mm, Obsolete part |
| | 238132 | X | • • Washer | TH=1,00mm |
| 35 | 239039 | 1 | • • Arm | |
| 36 | 955271 | 1 | • • Hexagon screw | |
| 37 | 949607 | 2 | • • Spring washer | |
| 38 | 955892 | 1 | • • Washer | |
| 39 | 837737 | 1 | • • Spring | |
| 40 | (239048) | 1 | • • Bearing bushing | Obsolete part |
| 41 | (239049) | 1 | • • Shaft | Obsolete part |
| 42 | (6213511) | 1 | • • Link arm end | Obsolete part |
| 43 | (239051) | 1 | • • Sleeve | Obsolete part |
| 44 | (240387) | 1 | • • Spring | Obsolete part |
| 44A | (240386) | 1 | • • Spring | Obsolete part |
| 44B | (240388) | 1 | • • Spring | Obsolete part |
| 45 | | 1 | • • Brace | |
| 46 | 862814 | 1 | • • O-ring | |
| 47 | (870912) | 1 | • • Lever | Obsolete part |
| 48 | 955271 | 1 | • • Hexagon screw | |
| 49 | 949607 | 1 | • • Spring washer | |
| 50 | (243513) | 1 | • • Adjusting washer | TH=0,60mm, Obsolete part |
| 51 | (848217) | 1 | • • Stud | Obsolete part |
| 52 | (864108) | 1 | • • Nut | Obsolete part |
| 53 | 190990 | 2 | • • Gasket | |
| 54 | (862272) | 1 | • • Cap nut | Obsolete part |
| 55 | (864753) | 1 | • • Spring | Obsolete part |
| 56 | (864468) | 1 | • • Damping spring | Obsolete part |
| 57 | (239046) | 1 | • • Nut | Obsolete part |

TAMD63L-A, TAMD63P-A

| REF | PART NO. | QTY | DESCRIPTION | NOTES |
|-----|----------|-----|------------------------|-----------------------|
| 58 | 18839 | 1 | • • Gasket | |
| 59 | (848762) | 1 | • • Washer | Obsolete part |
| 60 | (848761) | 1 | • • Needle bearing | Obsolete part |
| 61 | (848763) | 1 | • • Bushing | Obsolete part |
| 62 | 239164 | 1 | • • Tensioning ring | |
| 63 | (848755) | 1 | • • Adjusting screw | Obsolete part |
| 64 | 848741 | 1 | • Cardboard tube | |
| 65 | 848740 | 1 | • Sealing ring | |
| 66 | 845229 | 2 | • Screw | |
| 67 | 955268 | 2 | • Hexagon screw | For lead-seal. |
| 68 | 956100 | 2 | • Cross recessed screw | L=40mm |
| 69 | (241990) | 4 | • Screw | L=25mm, Obsolete part |
| 70 | 11992560 | 1 | • Gasket | |
| 71 | (870637) | 1 | • Nut | Obsolete part |
| 72 | 18839 | 1 | • Gasket | |
| 73 | (240919) | 1 | • Plug | Obsolete part |
| 74 | 845009 | 4 | • Spring | |
| 75 | (240016) | 4 | • Lock screw | Obsolete part |