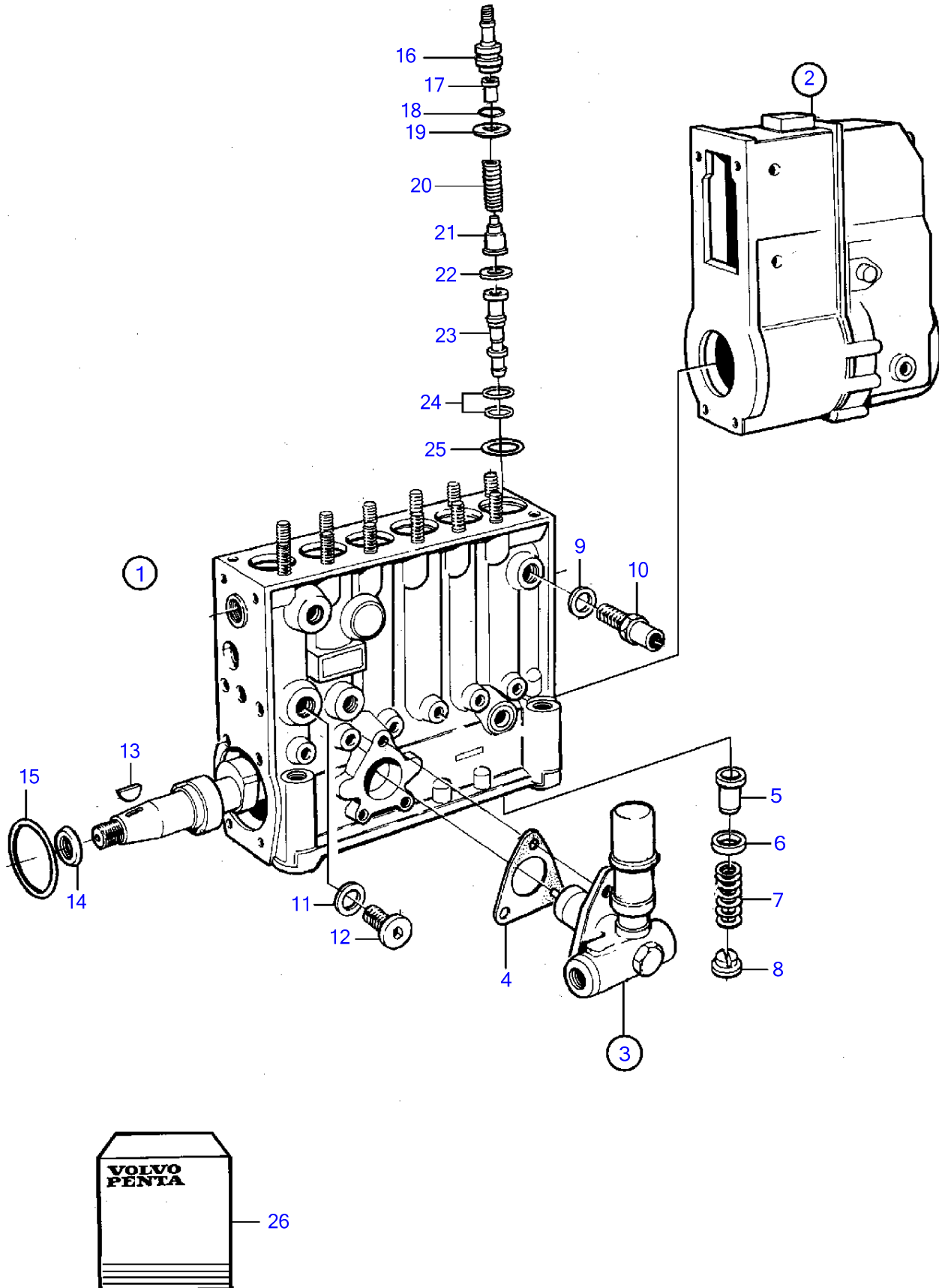


TAMD63L-A, TAMD63P-A



TAMD63L-A, TAMD63P-A

| REF | PART NO. | QTY | DESCRIPTION | SEE SEC. | NOTES |
|-----|-----------|-----|-------------------------------|----------|-----------------|
| 1 | 866633 | 1 | Injection pump | | Repl by 3803780 |
| | 3803780 | 1 | Injection pump, exch | | Repl by 3803780 |
| 2 | (3825130) | 1 | • Governor | | Obsolete part |
| | | | • • parts not sold separately | | |
| 3 | 863474 | 1 | • Feed pump | | |
| | | | • • | | |
| | | | • | 460 | |
| 4 | 863370 | 1 | • Gasket | | (6232208) |
| 5 | 862406 | 6 | • Control sleeve | | |
| 6 | 239984 | 6 | • Spring disc | | |
| 7 | (1699465) | 6 | • Compression spring | | Obsolete part |
| 8 | 862408 | 6 | • Spring disc | | |
| 9 | 969011 | 1 | • Gasket | | |
| 10 | 3825154 | 1 | • Overflow valve | | |
| 11 | 240017 | 1 | • Gasket | | |
| 12 | | 1 | • Screw | | |
| 13 | 35168 | 1 | • Key | | |
| 14 | 3825543 | 1 | • Sealing ring | | |
| 15 | 862423 | 1 | • O-ring | | |
| 16 | | 6 | • Delivery valve retai | | |
| 17 | (862396) | 6 | • Spacer | | Obsolete part |
| 18 | 862400 | 6 | • O-ring | | |
| 19 | 240973 | X | • Washer | | TH=0,50mm |
| 20 | 862397 | 6 | • Compression spring | | |
| 21 | 1697952 | 6 | • Delivery valve | | |
| 22 | | 6 | • Washer | | |
| 23 | 3825931 | 6 | • Pump element tappet | | |
| 24 | 240422 | 12 | • O-ring | | |
| 25 | 1699458 | 6 | • Sealing ring | | |
| 26 | 862425 | 1 | Spare parts kit | | |