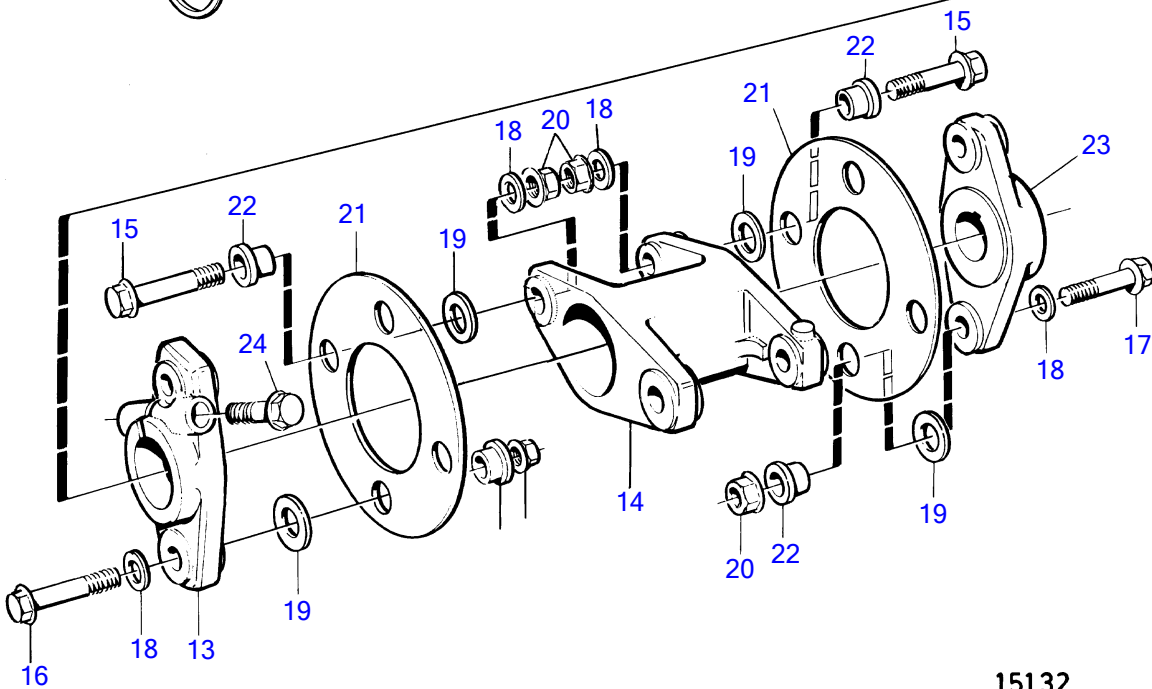
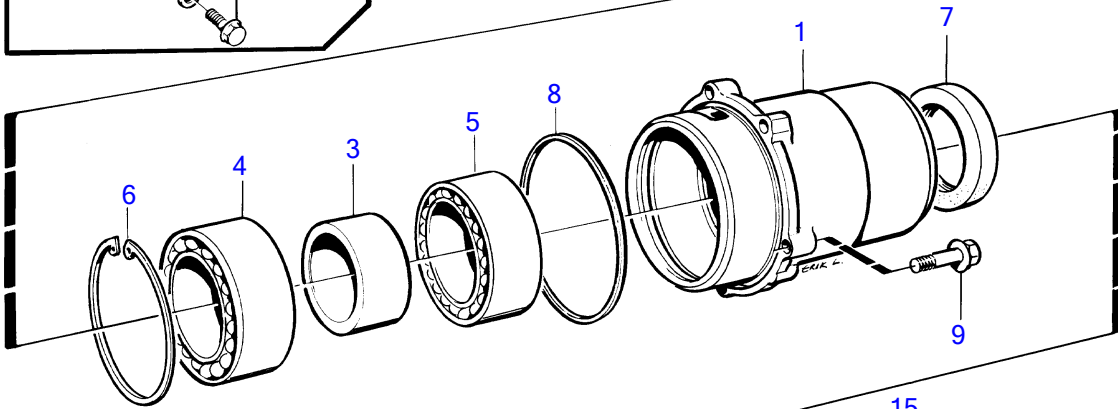
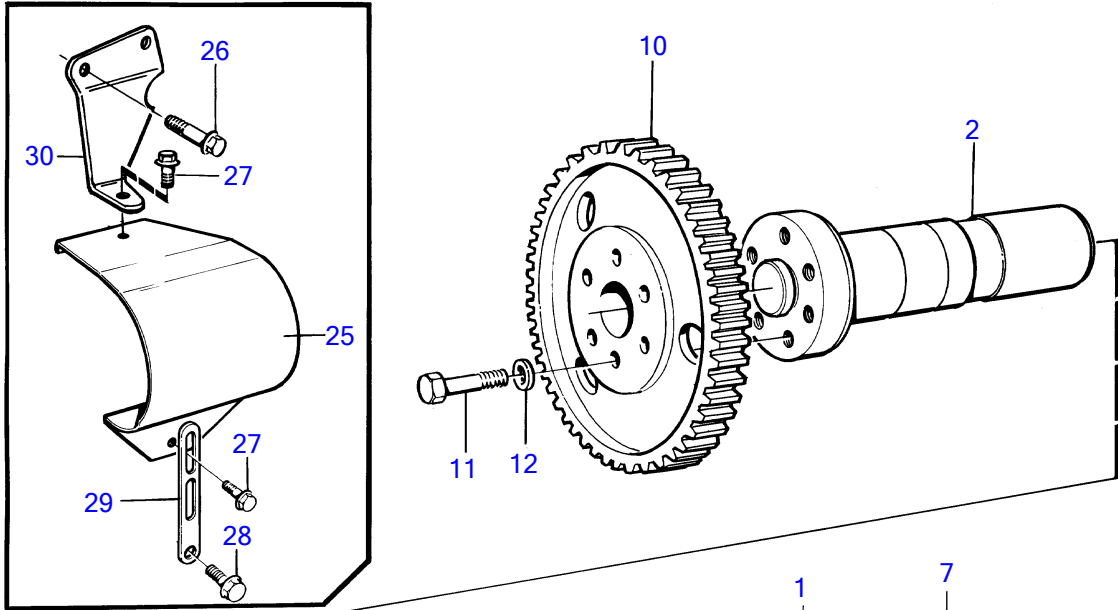


TAMD63P-A



## TAMD63P-A

REF	PART NO.	QTY	DESCRIPTION	NOTES
1	478799	1	Bearing housing	
2	478411	1	Stub axle	
3	1546132	1	Stop ring	
4	184788	1	Ball bearing	
5	11014	1	Ball bearing	
6	914540	1	Snap ring	
7	1546221	1	Sealing ring	
8	423123	1	Sealing ring	
9	946671	5	Flange screw	
10	478429	1	Gear	Nitro
11	471534	6	Screw	
12	942385	6	Disc spring	
13	1547352	1	Companion flange	(M11) SN-2061187229., M11
	1556186	1	Companion flange	(M12) SN2061187230-., M12
14	1556175	1	Spacer	
15	965185	4	Flange screw	L=40mm
16	965220	2	Flange screw	L=45mm
17	965185	2	Flange screw	L=40mm
18	976945	8	Washer	10,5x22x2mm
19	479399	8	Washer	15x28x2mm
20	971095	8	Flange nut	
21	479458	8	Companion disc	
22	478897	8	Sleeve	
23	1547351	1	Companion flange	
24	471529	1	Screw	(M11) SN-2061187229., M11
	1556285	1	Screw	(M12) SN2061187230-., M12
25	865745	1	Protecting plate	
26	965189	3	Flange screw	
27	967949	2	Flange screw	
28	965227	1	Flange screw, engine mounts	See group 21
29	965542	1	Bracket	
30	865744	1	Bracket	