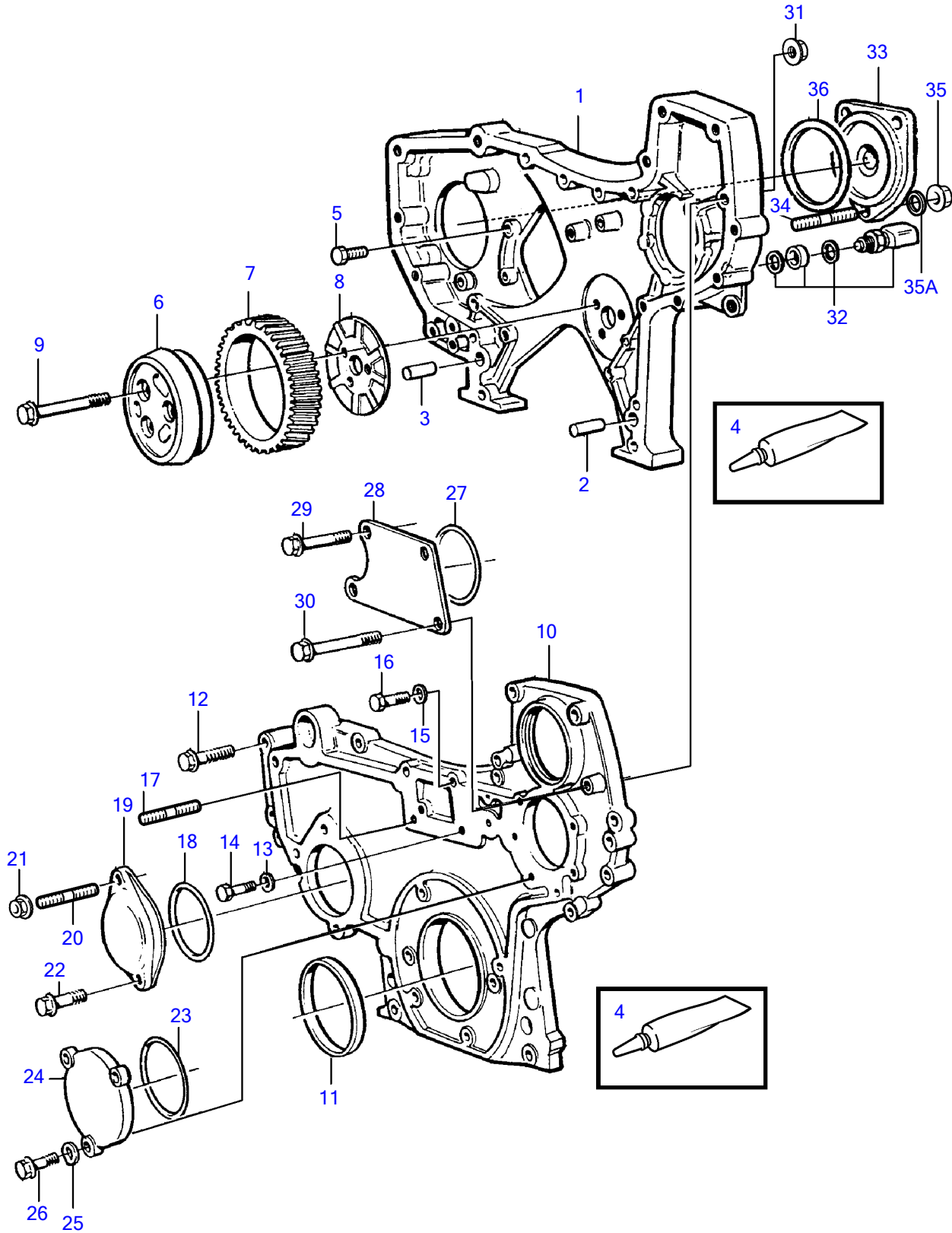


TAMD63L-A, TAMD63P-A



## TAMD63L-A, TAMD63P-A

REF	PART NO.	QTY	DESCRIPTION	NOTES
1	471505	1	Timing gear casing	
2	941511	1	Pin	
3	941510	1	Pin	
4	1161231	X	Sealant	304ml
	1161277	X	Sealant	20g
5	471534	2	Screw	L=28mm
	471535	2	Screw	L=58mm
6	422766	1	Bearing spindle	
7	8192518	1	Gear	(471552)
8	478951	1	Thrust washer	
9	471554	3	Screw	
10	8192590	1	Cover	
11	477118	1	• Sealing ring	
12	965182	6	Flange screw	M8x80mm
	965216	1	Flange screw	M8x55mm
	948217	2	Flange screw	M8x45mm
	947760	7	Flange screw	M8x40mm
	965183	1	Flange screw	M8x90mm
	965192	1	Flange screw	M12x40mm
13	947281	1	Gasket	
14	946471	1	Flange screw	
15	955895	2	Washer	
16	(100338)	2	Hexagon screw	M10x95mm, Obsolete part
17	479971	1	Stud	M10x45mm
18	925094	1	O-ring	
19	465735	1	Cover	
20	479972	1	Stud	M10x45mm
21	971095	1	Flange nut	
22	965188	1	Flange screw	
23	925094	1	O-ring	
24	471559	1	Cover	
25	941907	3	Spring washer	
26	945444	3	Flange screw	
27	925095	1	O-ring	
28		1	Cover plate	
29	965187	1	Flange screw	M10x60mm
	965190	2	Flange screw	M10x100mm
30	969313	1	Flange screw	M10x110mm
31	971098	3	Flange lock nut	
32		1	Tachometer sensor	See group 30
33	420178	1	Cover	
34	967951	3	Stud	
35	971097	3	Flange nut	
35A	955899	3	Washer	D=15x26x2mm
36	975610	1	O-ring	