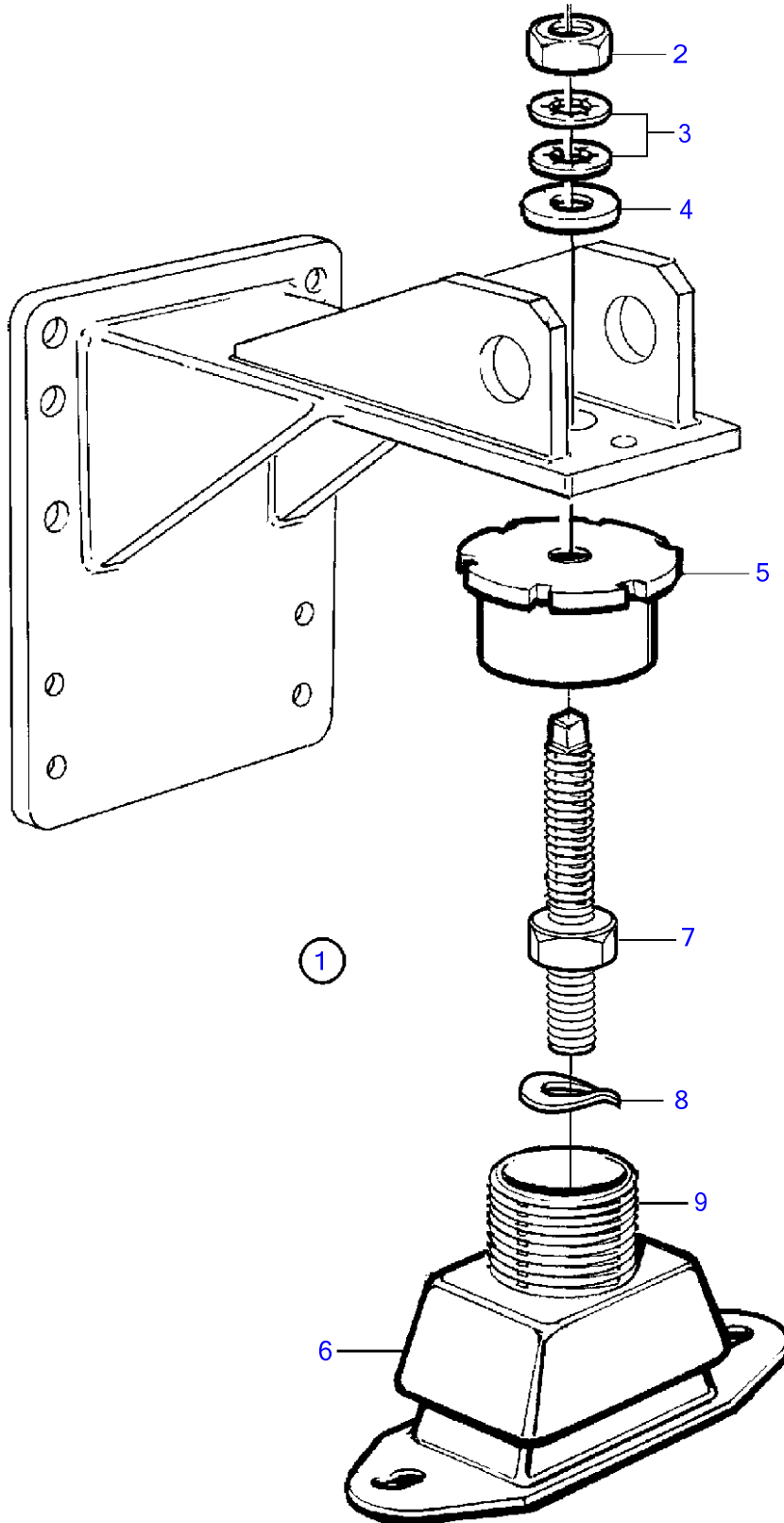


TAMD63L-A, TAMD63P-A



TAMD63L-A, TAMD63P-A

REF	PART NO.	QTY	DESCRIPTION	NOTES
1	876201	4	Rubber element kit	
2	955786	4	• Hexagon nut	
3	847766	8	• Lock washer	
4	120224	4	• Washer	
5	863873	4	• Adjusting sleeve	
6	862073	4	• Rubber cushion	
7	847749	4	• Adjusting screw	
8	941914	4	• Spring washer	Obsolete part
9		4	• Adjusting sleeve	