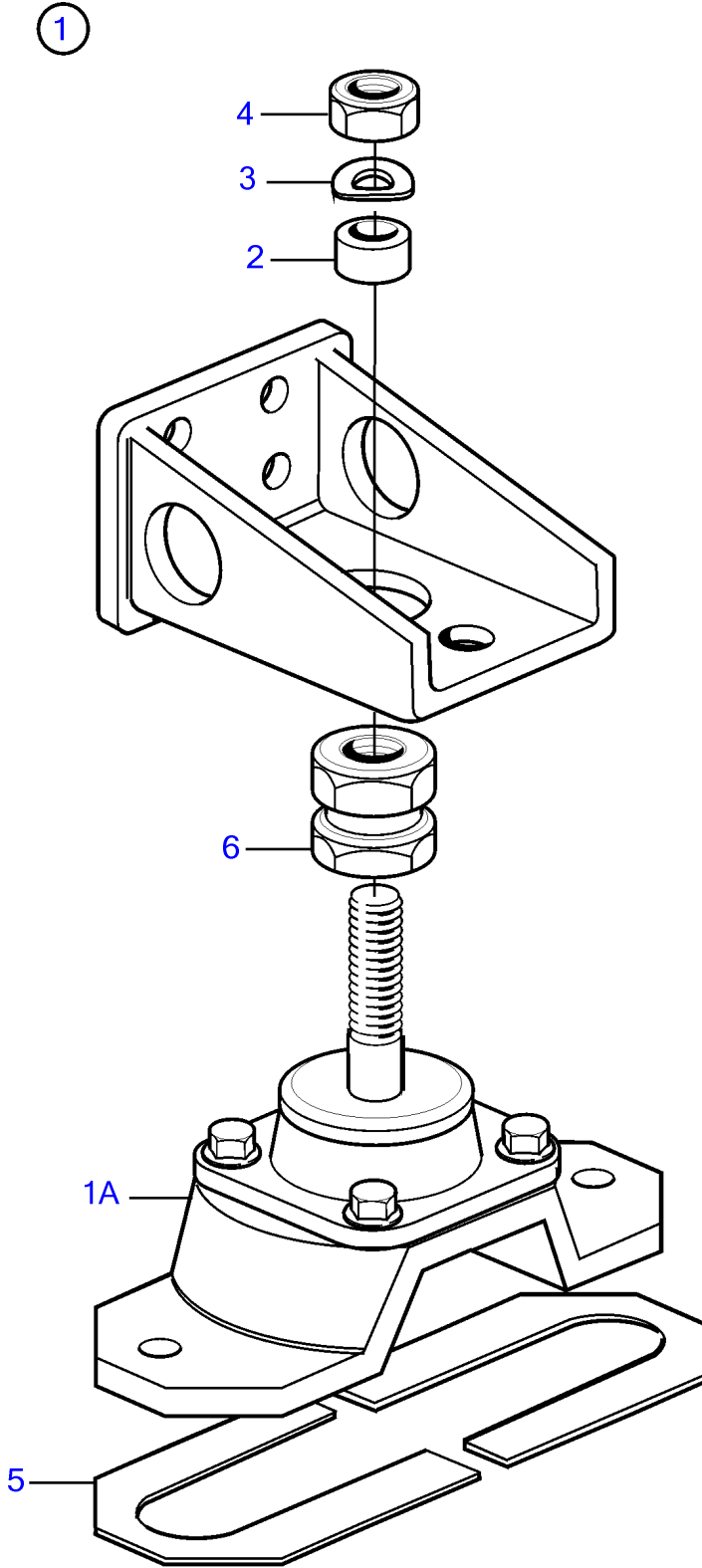


TAMD63L-A, TAMD63P-A



TAMD63L-A, TAMD63P-A

REF	PART NO.	QTY	DESCRIPTION	NOTES
1	876749	2	Rubber element kit	(3825191)
1A	3826730	2	Rubber cushion	
2	3832907	2	• Spacer	
3	941912	2	• Spring washer	
4	963110	2	• Lock nut	
5	898455	4	• Spacer	TH=0,5mm
	898457	4	• Spacer	TH=1,0mm
	898459	4	• Spacer	TH=3,0mm
6	3826709	2	• Adjusting sleeve	Alt