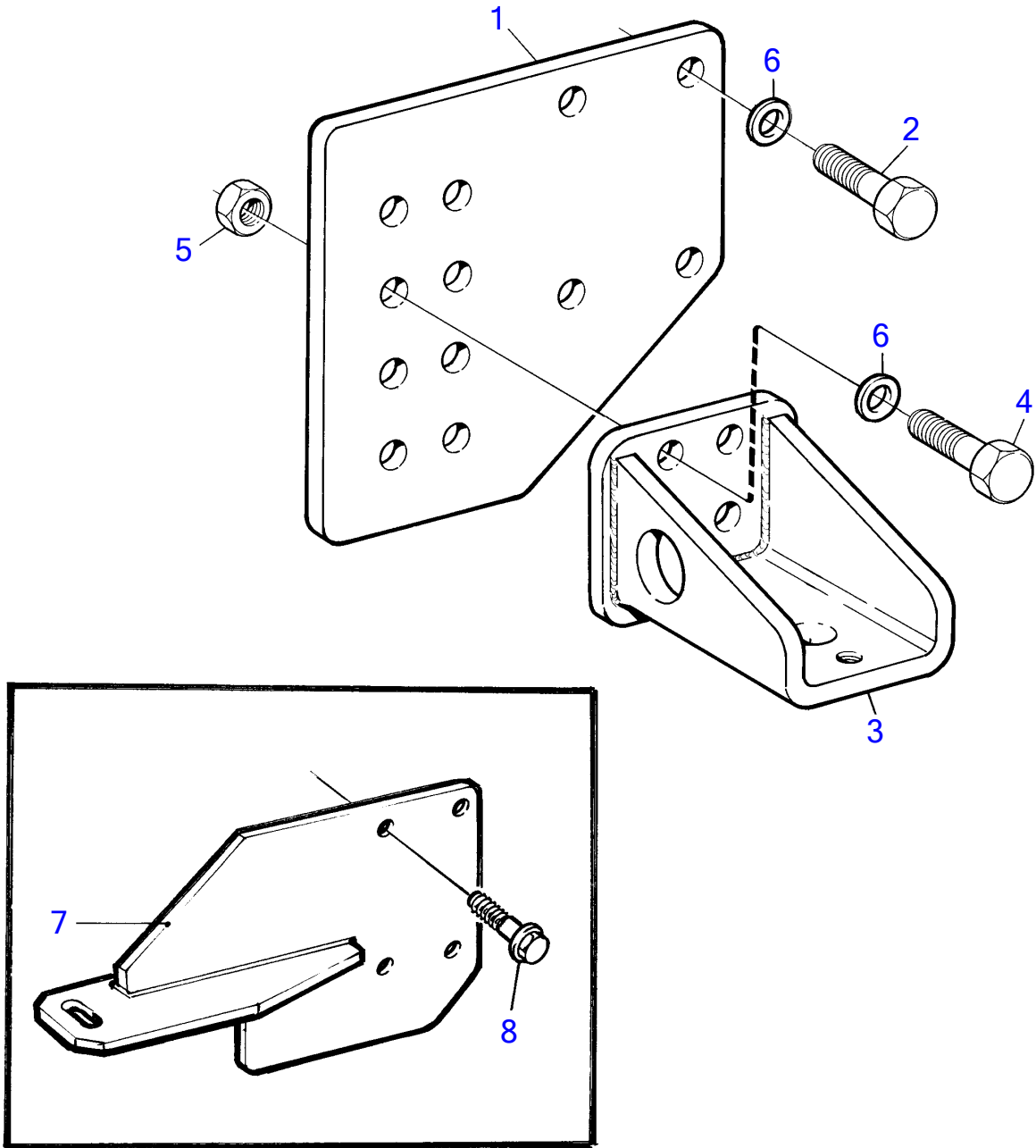


TAMD63L-A, TAMD63P-A



TAMD63L-A, TAMD63P-A

REF	PART NO.	QTY	DESCRIPTION	NOTES
1	849287	2	Bracket	28
2	970900	8	Hexagon screw	
3	848369	2	Bracket	28
4	970900	8	Hexagon screw	
5	963108	8	Lock nut	
6	940280	8	Spring washer	
7	3825544	1	Bracket	SB, 22,5
	3825545	1	Bracket	P,22,5
8	965225	8	Flange screw	M12x35mm