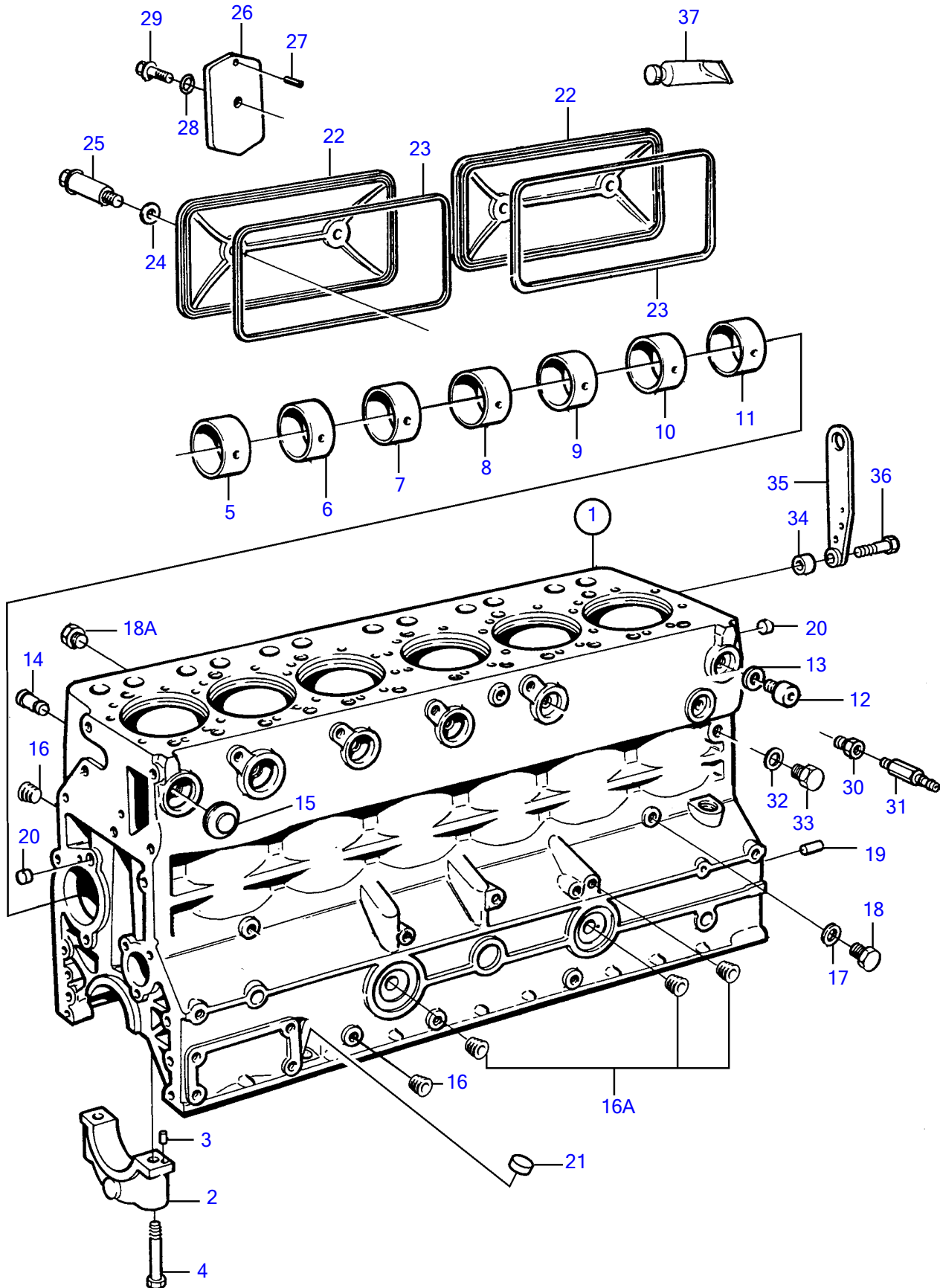


TAMD63L-A, TAMD63P-A



TAMD63L-A, TAMD63P-A

| REF | PART NO. | QTY | DESCRIPTION | NOTES |
|-----|----------|-----|--------------------|----------------------------|
| 1 | 420990 | 1 | Cylinder block | |
| 2 | | 7 | • Main bearing cap | |
| 3 | 422426 | 1 | • Pivot pin | |
| 4 | 465899 | 14 | • Screw | |
| 5 | 422076 | 1 | • Bushing | |
| 6 | 422077 | 1 | • Bushing | |
| 7 | 422078 | 1 | • Bushing | |
| 8 | 422079 | 1 | • Bushing | |
| 9 | 422080 | 1 | • Bushing | |
| 10 | 422081 | 1 | • Bushing | |
| 11 | 422082 | 1 | • Bushing | |
| 12 | 467367 | 2 | • Plug | |
| 13 | 469328 | 2 | • Gasket | |
| 14 | 422369 | 2 | • Plug | |
| 15 | 968955 | 4 | • Expansion plug | |
| 16 | 952075 | 2 | • Plug | |
| 16A | 968145 | 3 | • Plug, 3/8-NPTF | |
| 17 | 947281 | 1 | • Gasket | |
| 18 | 965768 | 1 | • Plug | |
| 18A | 479979 | 5 | • Plug | |
| 19 | 191171 | 2 | • Pin | |
| 20 | 955082 | 6 | • Cap plug | |
| 21 | 955082 | 2 | Cap plug | |
| 22 | 420120 | 2 | Inspection cover | |
| 23 | 20591544 | 2 | Gasket | |
| 24 | 471856 | 4 | Sealing ring | |
| 25 | 471855 | 4 | Screw | |
| 26 | 471854 | 1 | Cover | |
| 27 | 951973 | 1 | Spring pin | |
| 28 | 944364 | 1 | O-ring | |
| 29 | 946329 | 1 | Flange screw | |
| 30 | 479954 | 1 | Nipple | |
| 31 | 949918 | 1 | Shut-off cock | |
| | 947893 | 1 | Shut-off cock | Earlier prod For 947893 |
| 32 | 18665 | 1 | Gasket | |
| 33 | 968060 | 1 | Plug | |
| 34 | 847237 | 1 | Spacer sleeve | |
| 35 | (848533) | 1 | Lifting eye | Obsolete part |
| 36 | 965225 | 1 | Flange screw | |
| 37 | 1161231 | X | Sealant | 304ml |