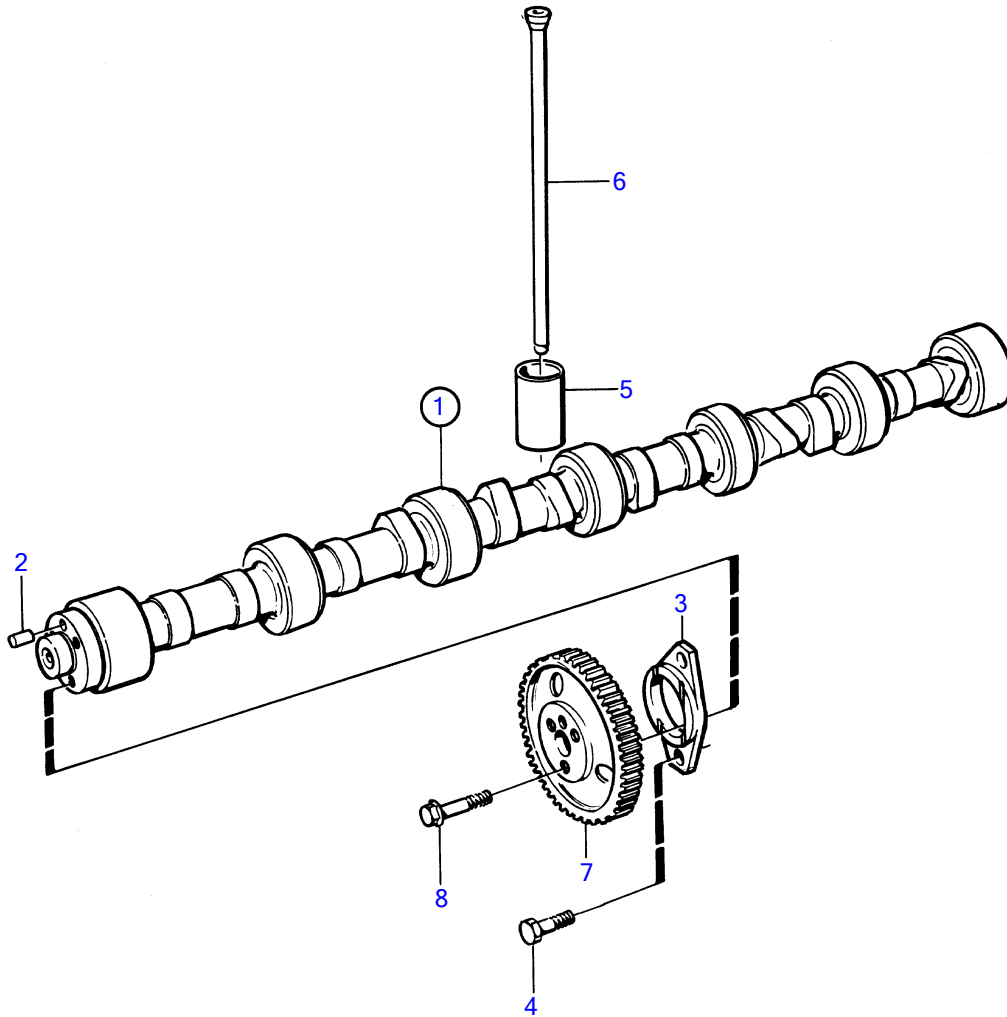


TAMD63L-A, TAMD63P-A



15107

TAMD63L-A, TAMD63P-A

REF	PART NO.	QTY	DESCRIPTION	SEE SEC.	NOTES
1	465787	1	Camshaft		
2	950588	1	• Pin		
3	465789	1	Flange		
4	471509	2	Screw		
5	421067	12	Valve tappet		
6	420021	12	Push rod		
7	478297	1	Gear		
			• Bulletin 45-01	45-01-EN	Timing Gears, 71, 100, 121
8	471555	3	Screw		