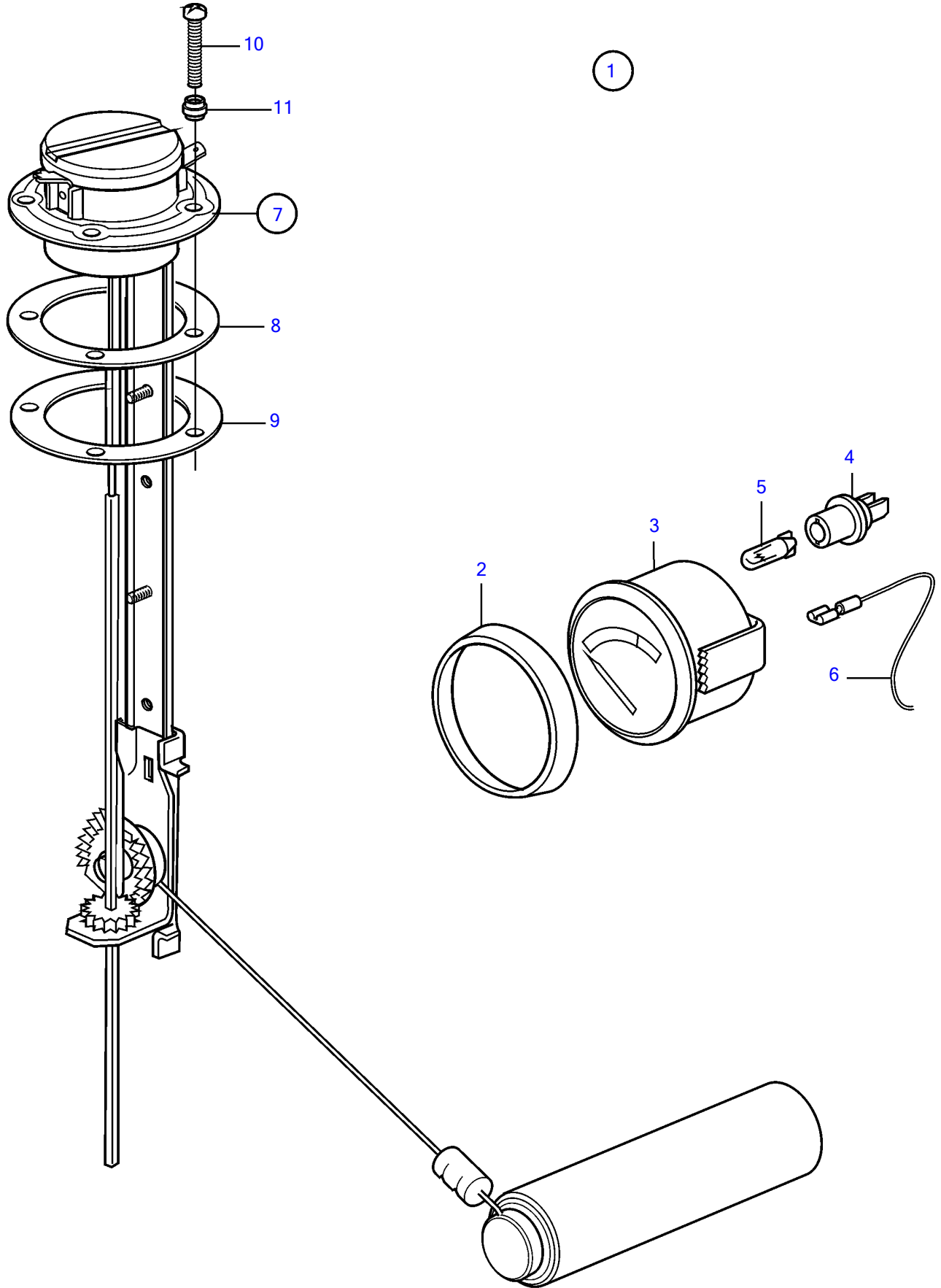


TAMD63L-A, TAMD63P-A



TAMD63L-A, TAMD63P-A

REF	PART NO.	QTY	DESCRIPTION	SEE SEC.	NOTES
1	(1140462)	1	Water level gauge ki		(858881), Obsolete part
2	858643	1	• Front ring		
3	863942	1	• Water level gauge		
4	863945	1	• • Lamp socket		Use white bulb 19923 and socket 808175 for earlier gauges.
5	863946	1	• • • Bulb		Use white bulb 19923 and socket 808175 for earlier gauges., 12V, 1,2W red
6		X	• • • • electrical materials	1963	
7	834389	1	• • • • Tank sensor		(837999)
8	89865	1	• • • • • Gasket		
9	834480	1	• • • • • Flange		
10	956078	4	• • • • • Cross recessed screw		
	956081	1	• • • • • Cross recessed screw		
11	834481	5	• • • • • Gasket		