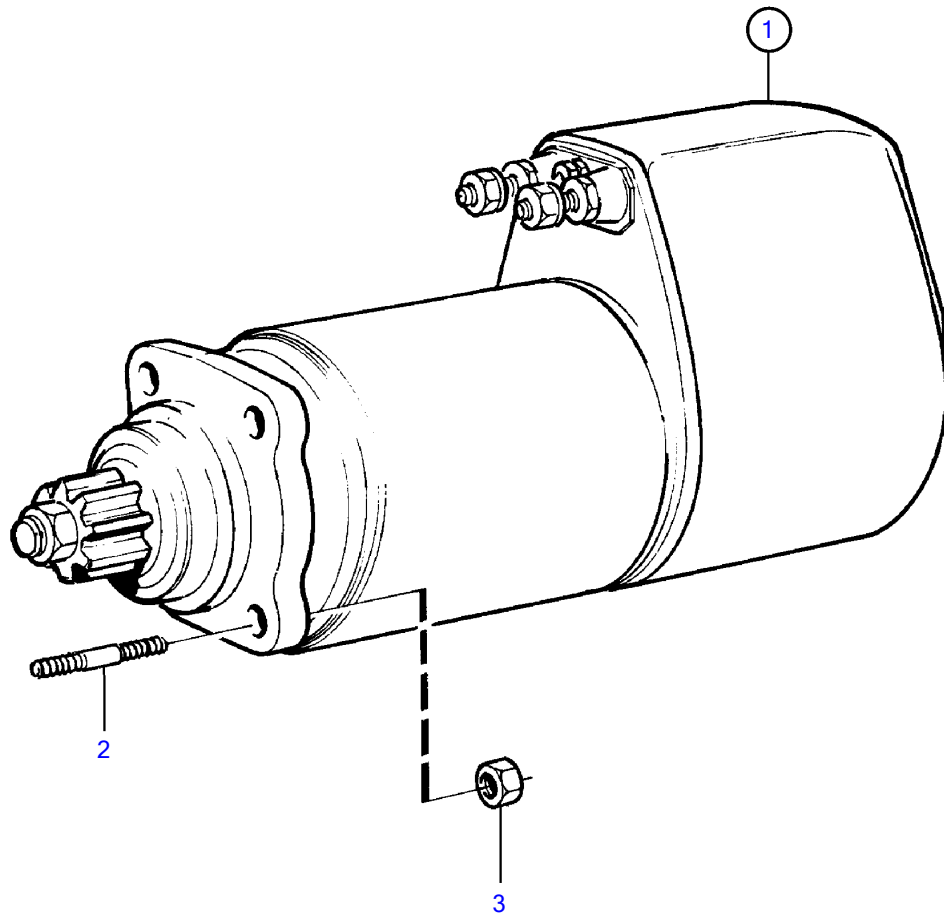


TAMD63L-A, TAMD63P-A



TAMD63L-A, TAMD63P-A

REF	PART NO.	QTY	DESCRIPTION	NOTES
1	881681	1	Starter motor	12V
	3803599	1	Starter motor, exch, exch	12V
			• parts not sold separately	
	881683	1	Starter motor	24V
	3803600	1	Starter motor, exch, exch	24V
			• parts not sold separately	
2	953067	3	Stud	
3	971095	3	Flange nut	