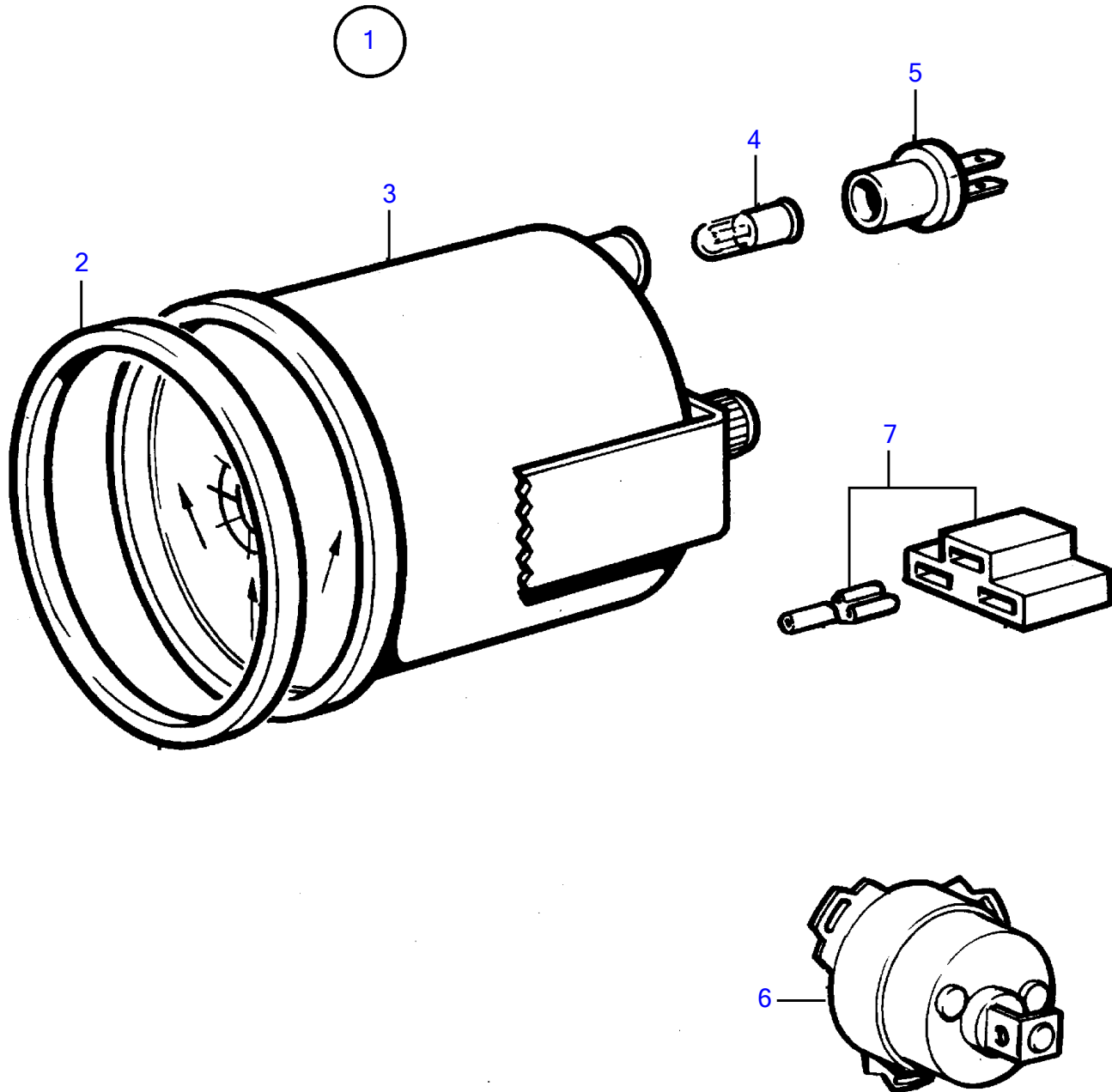


TAMD63L-A, TAMD63P-A



TAMD63L-A, TAMD63P-A

REF	PART NO.	QTY	DESCRIPTION	SEE SEC.	NOTES
1	1140465	1	Rudder indicator kit		
2	858643	1	• Front ring		
3	863944	1	• Rudder indicator		
4	863946	1	• • Bulb		
5	863945	1	• • Lamp socket		For instrument 828698 should white bulb 19923 and socket 808175 be mounted.
6	837772	1	• Position sensor		
7		X	• electrical materials	1963	