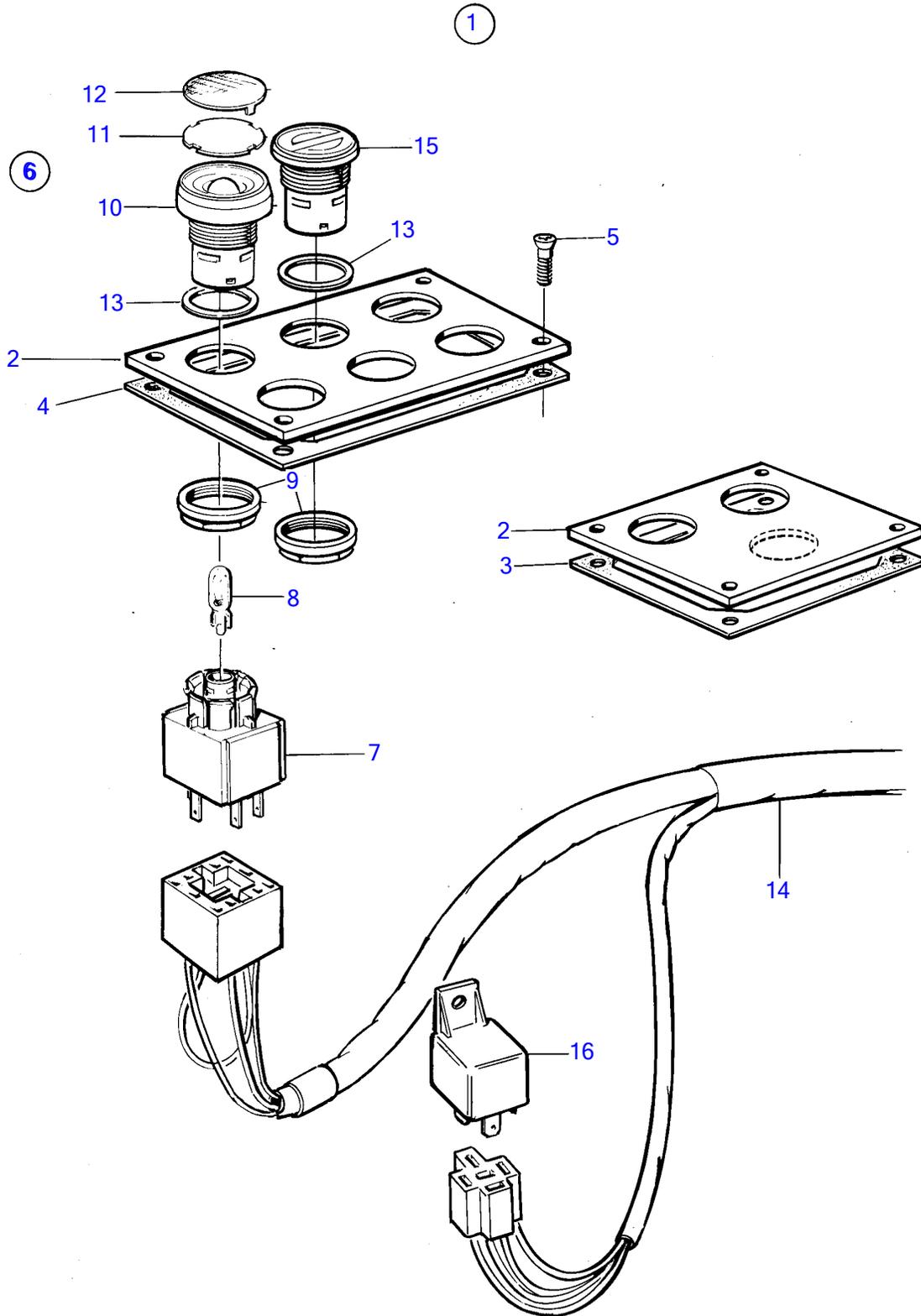


TAMD63L-A, TAMD63P-A



16756

TAMD63L-A, TAMD63P-A

REF	PART NO.	QTY	DESCRIPTION	NOTES
1		1	Control panel	Single engine installation. For two or more stations., 3 hole
2	873650	1	• Plate	Single engine installation. For two or more stations., 6 hole
3	873643	1	• Gasket	
5	828647	4	• Screw	
6	876950	3	• Push button kit	
7		3	• • Connector unit	24V, 1,2W
8	942327	3	• • Bulb	12V, 1,2W
	943638	3	• • Bulb	24V, 1,2W
9		3	• • Attaching ring	
10		3	• • Button	Green
11		18	• • Symbol strip	Yellow
12		3	• • Cover plate	Red
		3	• • Cover plate	Blue
		3	• • Cover plate	Red
		3	• • Cover plate	Blue
13		3	• • Gasket	
14	873629	1	• Wiring harness	