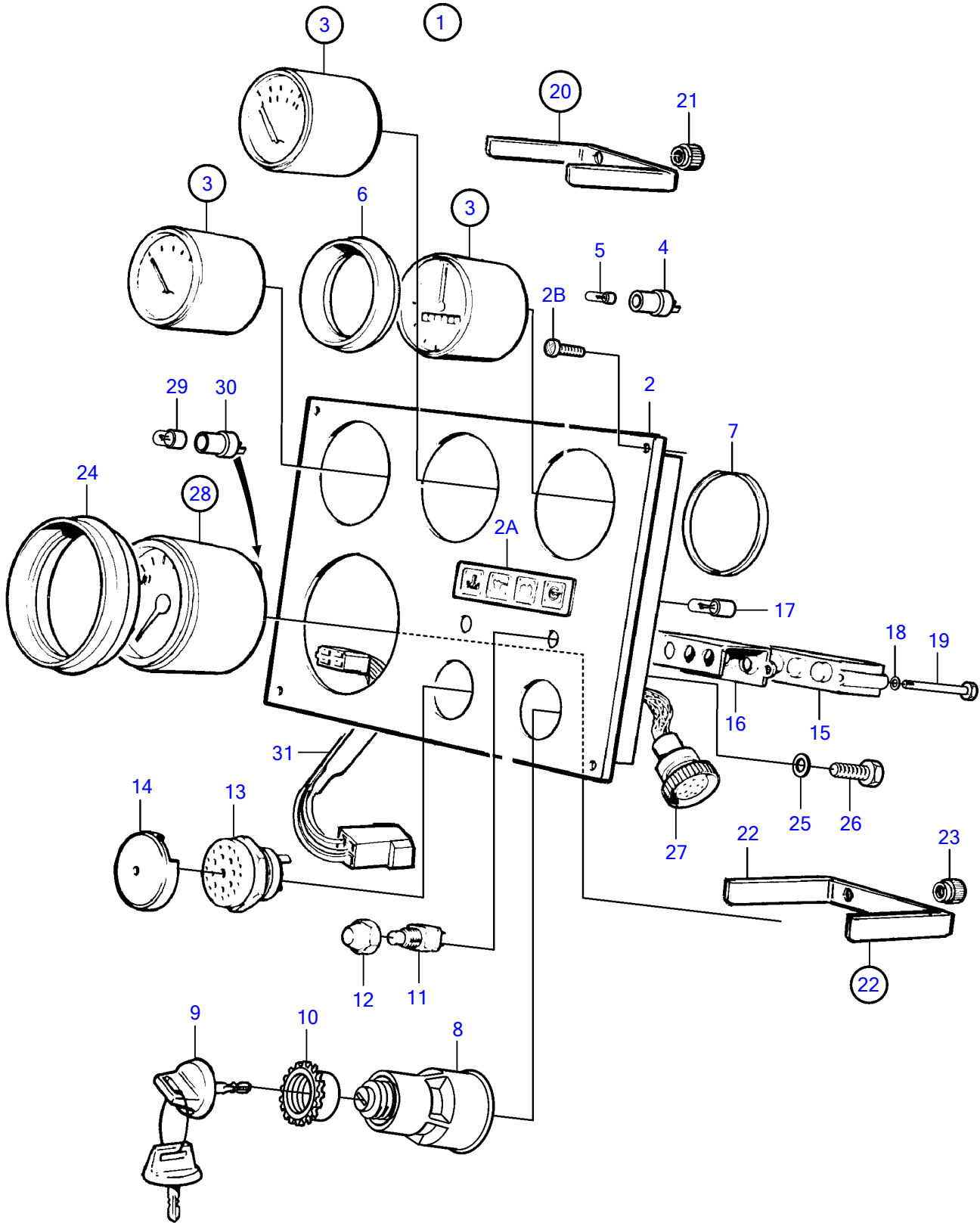


TAMD63L-A, TAMD63P-A



TAMD63L-A, TAMD63P-A

| REF | PART NO. | QTY | DESCRIPTION | SEE SEC. | NOTES |
|-----|----------|-----|------------------------|----------|-------------------------------|
| 1 | 873590 | 1 | Instrument panel | | Repl by 3587074 |
| | 3587074 | 1 | Instrument panel | | |
| 2 | 860182 | 1 | • Instrument panel | | |
| 2A | 858645 | 1 | • Symbol strip | | |
| 2B | 828647 | 4 | • Screw | | |
| 3 | 873195 | 1 | • Thermometer | | |
| | 873197 | 1 | • Oil pressure gauge | | |
| | 873199 | 1 | • Voltmeter | | |
| 4 | 863945 | 3 | • • Lamp socket | | |
| 5 | 863946 | 3 | • • Bulb | | |
| 6 | 858643 | 3 | • Front ring | | D=52mm |
| 7 | 828803 | 3 | • Guide ring | | |
| 8 | 864277 | 1 | • Starter switch | | Repl by 3587072 |
| | 3587072 | 1 | • Starter switch | | |
| 9 | 859953 | 2 | • • Key | | State key code when ordering. |
| | | | • Bulletin 49-30 | 49-30-EN | Key P/N 859953 |
| 10 | 859955 | 1 | • • Plastic nut | | |
| 11 | 828584 | 1 | • Toggle switch | | Test alarm |
| | 828585 | 1 | • Toggle switch | | Instr. light |
| 12 | 828586 | 2 | • Nut | | |
| 13 | 828587 | 1 | • Buzzer | | |
| 14 | 858795 | 1 | • Protecting casing | | |
| 15 | 873737 | 1 | • Electronic unit | | (873209) |
| 16 | 828784 | 1 | • Reflector | | |
| 17 | 19923 | 4 | • Bulb | | 12V |
| 18 | 941904 | 2 | • Spring washer | | |
| 19 | (941615) | 2 | • Cross recessed screw | | Obsolete part |
| 20 | 873207 | 3 | • Brace kit | | |
| 21 | | 6 | • • Nut | | |
| 22 | 873208 | 1 | • Brace kit | | |
| 23 | | 2 | • • Nut | | |
| 24 | 873517 | 1 | • Ring | | D=72mm |
| 25 | 941904 | 1 | • Spring washer | | |
| 26 | 949947 | 1 | • Cross recessed screw | | |
| 27 | 828646 | 1 | • Cable trunk | | |
| 28 | 873998 | 1 | Tachometer kit | | |
| 29 | 863946 | 1 | • Bulb | | 12V |
| | 863947 | | • Bulb | | 24V, 1,2W |
| 30 | 863945 | 1 | • Lamp socket | | |
| 31 | 873695 | 1 | • Diode cable | | |