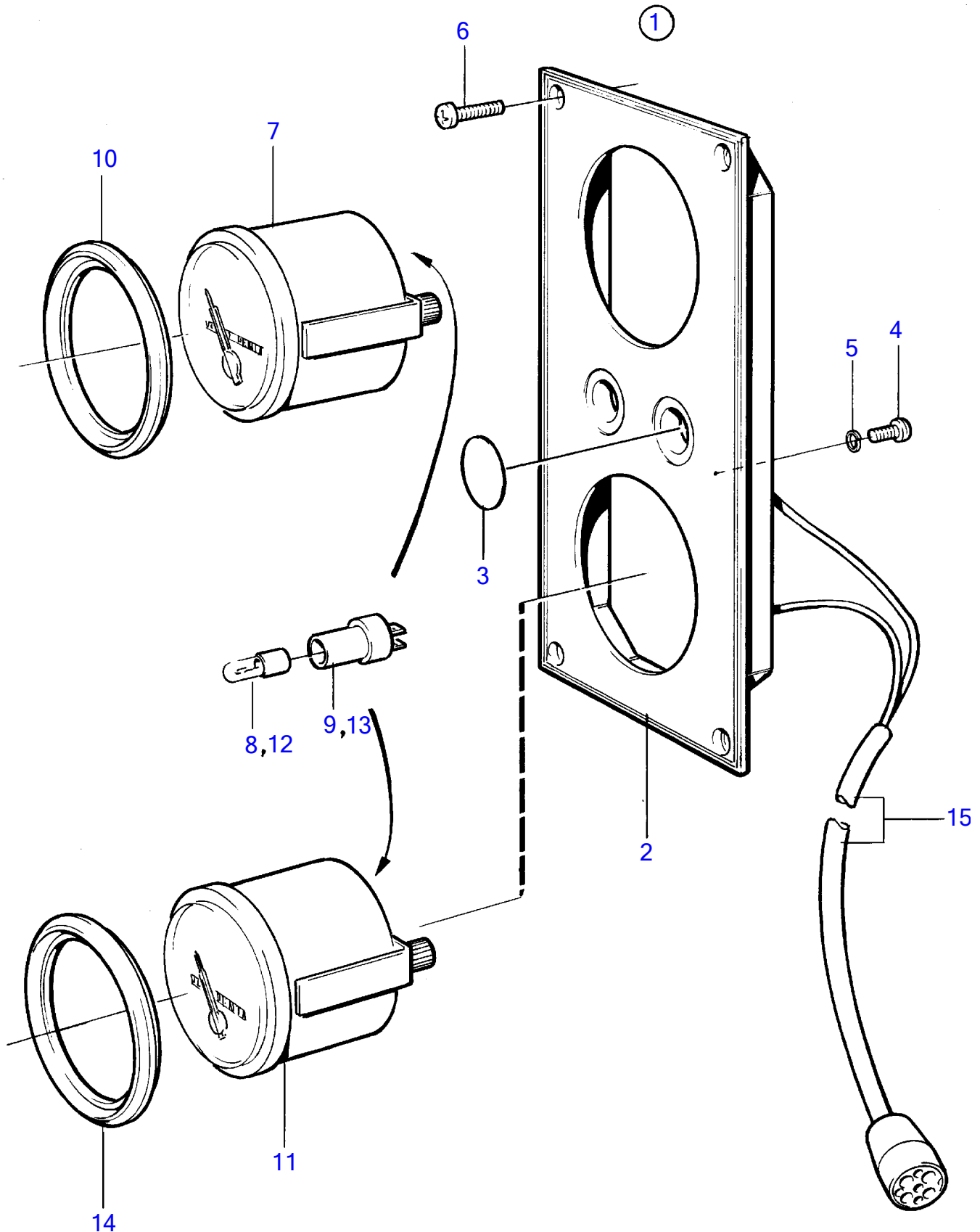


TAMD63L-A, TAMD63P-A



## TAMD63L-A, TAMD63P-A

REF	PART NO.	QTY	DESCRIPTION	SEE SEC.	NOTES
1	864053	1	Instrument panel		White coloured stripe.
2		1	• Instrument panel		
3	828607	2	• • Cover plate		
4	949947	1	• • Cross recessed screw		
5	941904	1	• • Spring washer		
6	828647	4	• • Screw		
7	873202	1	• Oil pressure gauge		(863937)
8	863947	1	• • Bulb		For instruments of early production should white bulb 182059 and bulb holder 808175 be mounted., Red
9	863945	1	• • Lamp socket		For instruments of early production should white bulb 182059 and bulb holder 808175 be mounted.
10	858643	1	• Front ring		
11	873206	1	• Turbo pressure gauge		0-3bar
12	863947	1	• • Bulb		For instruments of early production should white bulb 182059 and bulb holder 808175 be mounted., Red
13	863945	1	• • Lamp socket		For instruments of early production should white bulb 182059 and bulb holder 808175 be mounted.
14	858643	1	• Front ring		
15		X	• Cable trunk, electrical materials	1963	Turbocharge-reverse gear.