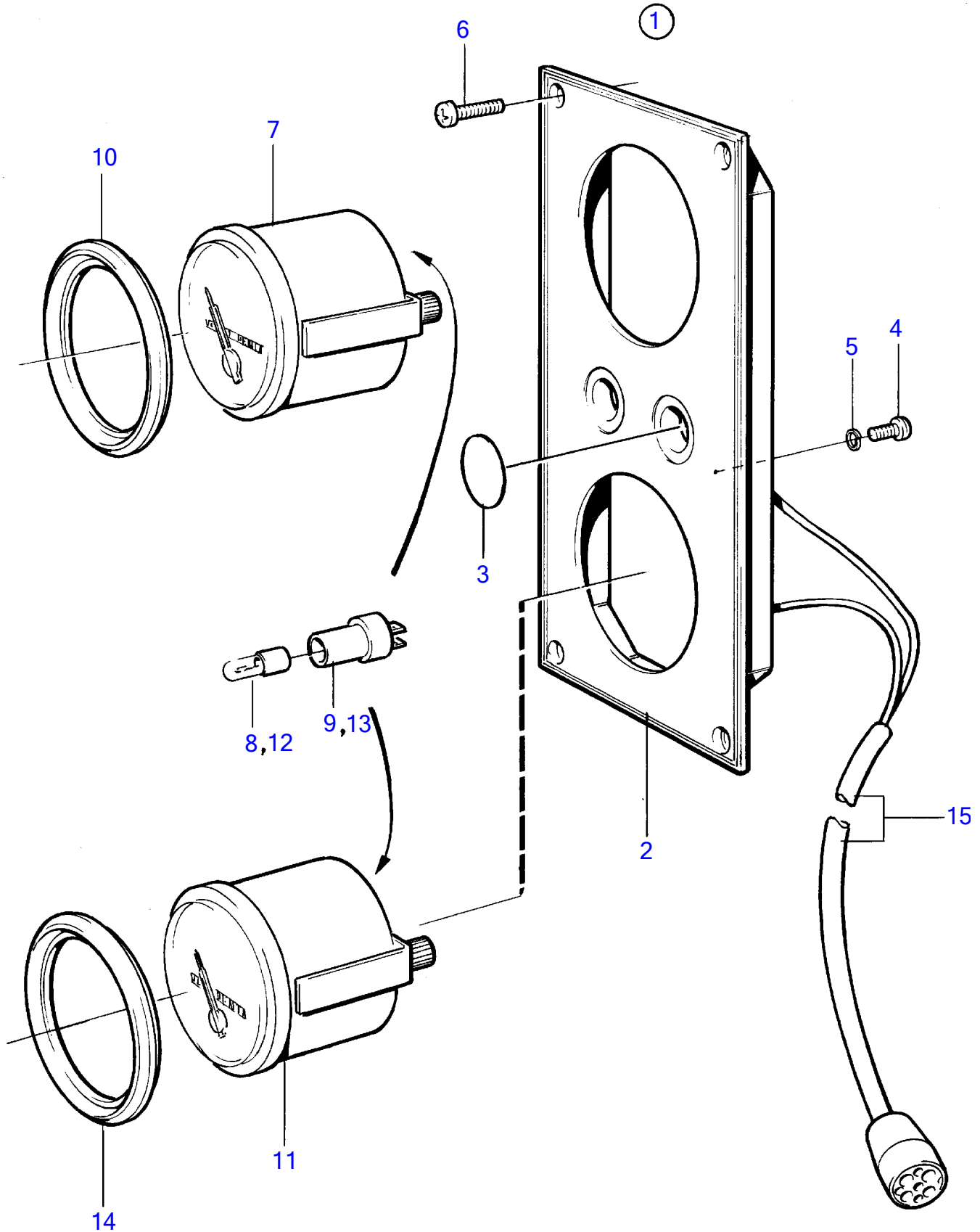


TAMD63L-A, TAMD63P-A



TAMD63L-A, TAMD63P-A

| REF | PART NO. | QTY | DESCRIPTION | SEE SEC. | NOTES |
|-----|----------|-----|-------------------------------------|----------|--|
| 1 | 846803 | 1 | Instrument panel | | Gold coloured stripe., Replaced by 849939 |
| | 849939 | 1 | Instrument panel | | White coloured stripe., Replaced by 864050 |
| 2 | | 1 | • Instrument panel | | |
| 3 | 828607 | 2 | • • Cover plate | | |
| 4 | 949947 | 1 | • • Cross recessed screw | | |
| 5 | 941904 | 1 | • • Spring washer | | |
| 6 | 828647 | 4 | • • Screw | | |
| 7 | 873202 | 1 | • Oil pressure gauge | | (863937) |
| 8 | 863947 | 1 | • • Bulb | | For instruments of early production should white bulb 182059 and bulb holder 808175 be mounted., Red |
| 9 | 863945 | 1 | • • Lamp socket | | For instruments of early production should white bulb 182059 and bulb holder 808175 be mounted. |
| 10 | 858643 | 1 | • Front ring | | |
| 11 | 873204 | 1 | • Turbo pressure gauge | | 0-2bar |
| 12 | 863947 | 1 | • • Bulb | | For instruments of early production should white bulb 182059 and bulb holder 808175 be mounted., Red |
| 13 | 863945 | 1 | • • Lamp socket | | For instruments of early production should white bulb 182059 and bulb holder 808175 be mounted. |
| 14 | 858643 | 1 | • Front ring | | |
| 15 | | X | • Cable trunk, electrical materials | 1963 | Turbocharge-reverse gear. |