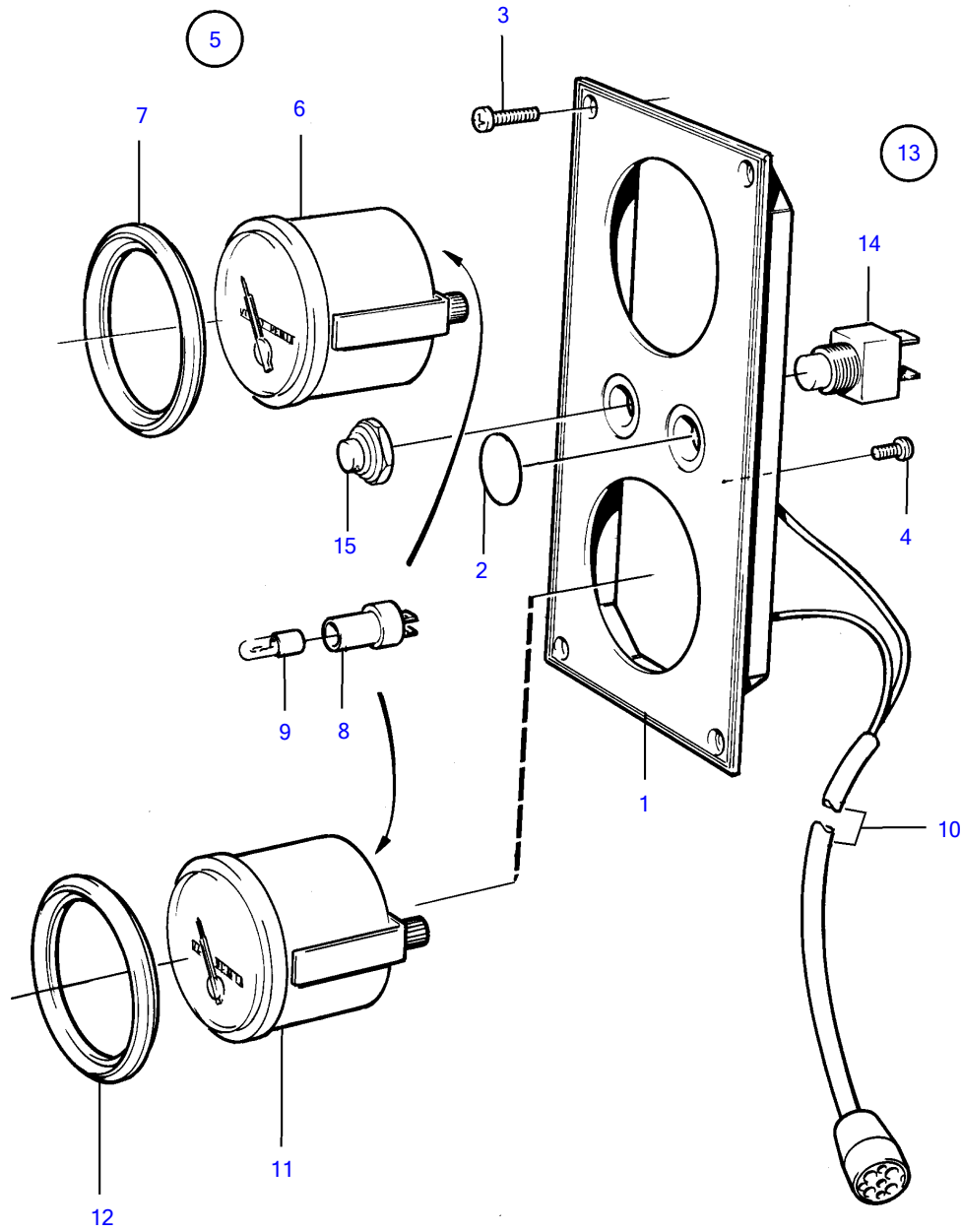


TAMD63L-A, TAMD63P-A



18272

TAMD63L-A, TAMD63P-A

REF	PART NO.	QTY	DESCRIPTION	SEE SEC.	NOTES
1			Instrument panel		
2	828607	2	Cover plate		
3	828647	4	Screw		
4	949947	1	Cross recessed screw		
5	(1140464)	1	Hour recorder		(828711), Obsolete part
	(1140464)		Hour recorder		Obsolete part
6	872479	1	• Hour recorder		(828615)
7	858643	1	• Front ring		White coloured stripe., Red
8	808175	1	• Lamp socket		
9	19923	1	• Bulb		12V
	182059	1	• Bulb		24V
10		X	• electrical materials	1963	
11		1	Instrument, extra	2457	
12		1	• Front ring	2457	
13	(828718)	1	Toggle switch		Obsolete part
	(828719)	1	Toggle switch		Obsolete part
14	828584	1	• Toggle switch		Closing during pressure and spring-loaded.
	828585	1	• Toggle switch		Closing-breaking.
15	828586	1	• Nut		