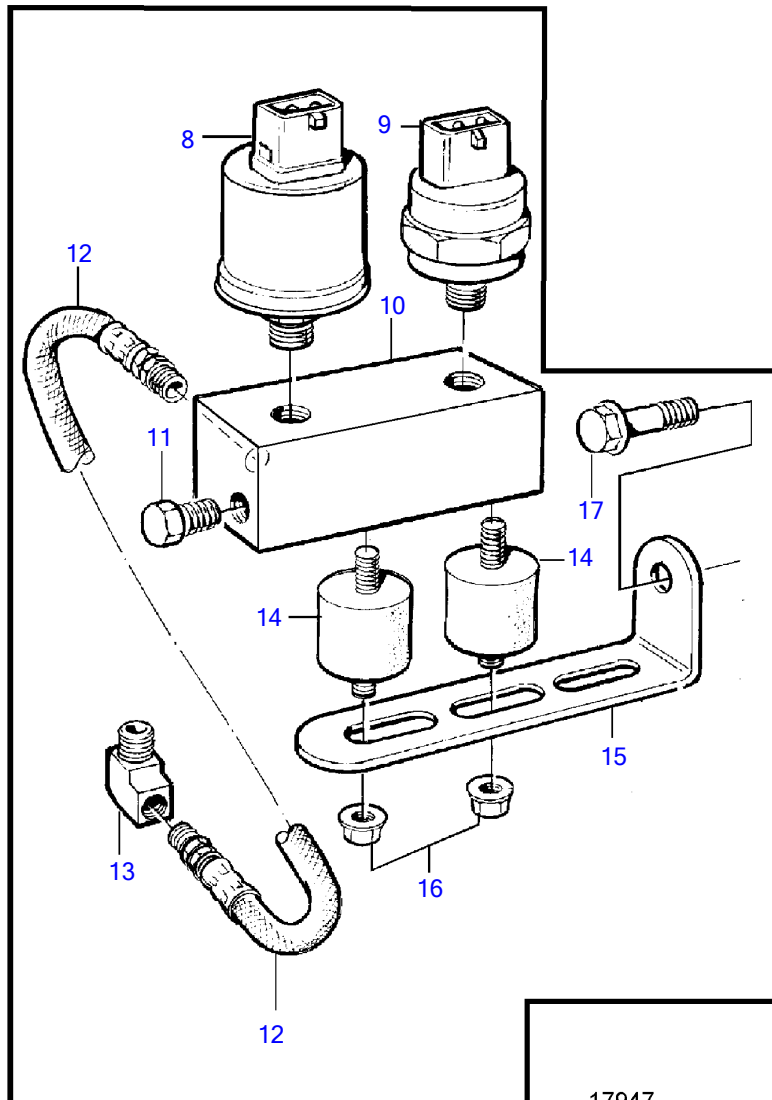
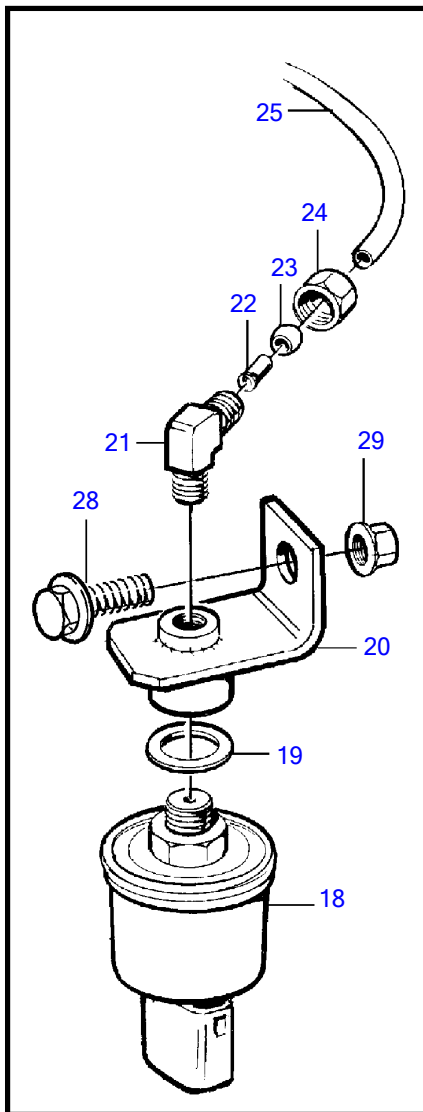
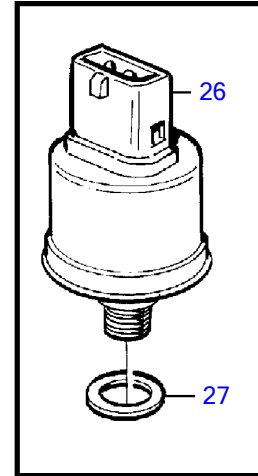
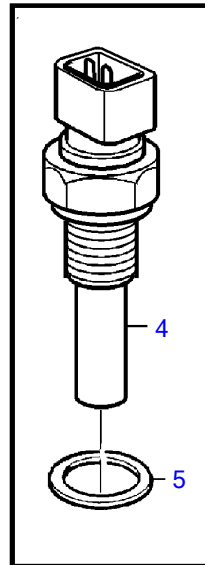
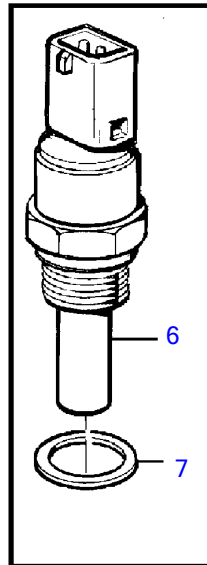
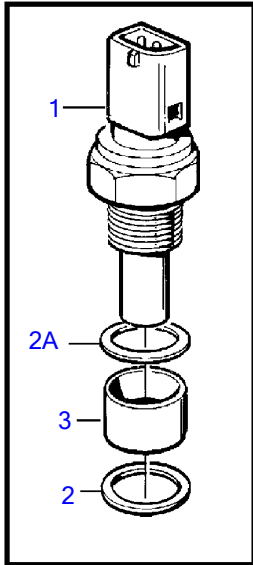


TAMD63L-A, TAMD63P-A



17947

TAMD63L-A, TAMD63P-A

| REF | PART NO. | QTY | DESCRIPTION | SEE SEC. | NOTES |
|-----|----------|-----|-----------------------------------|-------------|--|
| 1 | 862251 | 1 | Tachometer sensor | | |
| 2 | 949656 | 1 | O-ring | | |
| 2A | 947624 | 1 | Gasket | | |
| 3 | 863413 | 1 | Spacer sleeve | | |
| 4 | 862154 | 1 | Temperature sensor, coolant water | | For single instrument., 12V/24V, 120°C, M18 |
| | 862567 | 1 | Temperature sensor, coolant water | | For double instruments., 12V/24V, 120°C, M18 |
| 5 | 11998 | 1 | Gasket | | (947624) |
| 6 | 862250 | 1 | Thermo monitor, coolant water | | 12V/24V, 97°C |
| 7 | 947624 | 1 | Gasket | | |
| 8 | 866835 | 1 | Sensor, oil-engine | | 0-10BAR |
| | | | • Bulletin P-38-6-1 | P-38-6-1-EN | Vibration Damping Kit |
| 8 | 866836 | 1 | Sensor, oil-engine | | For double instruments., 0-10BAR |
| 9 | 863169 | 1 | Pressure monitor | | 0,7bar |
| 10 | 866704 | 1 | Bracket | | |
| 11 | 981749 | 1 | Plug | | |
| 12 | 334175 | 1 | Hose assembly | | |
| 13 | 180110 | 1 | Elbow nipple | | |
| 14 | 3574797 | 2 | Vibration damper | | |
| 15 | 965561 | 1 | Bracket | | |
| 16 | 949278 | 2 | Flange lock nut | | |
| 17 | 946440 | 1 | Flange screw | | |
| 18 | 866837 | 1 | Sensor, turbo | | 0-3bar |
| 19 | 11998 | 1 | Gasket | | (947624) |
| 20 | 843698 | 1 | Bracket | | |
| 21 | 954385 | 1 | Elbow nipple | | |
| 22 | 944717 | 1 | Support sleeve | | |
| 23 | 954364 | 1 | Sleeve | | |
| 24 | 954356 | 1 | Fitting nut | | |
| 25 | 945460 | 1 | Tube | | L=500mm |
| 26 | 866839 | 1 | Sensor, reverse gear | | 0-30bar |
| 27 | 947624 | 1 | Gasket | | |
| 28 | 967949 | 1 | Flange screw | | |
| 29 | 949278 | 1 | Flange lock nut | | |