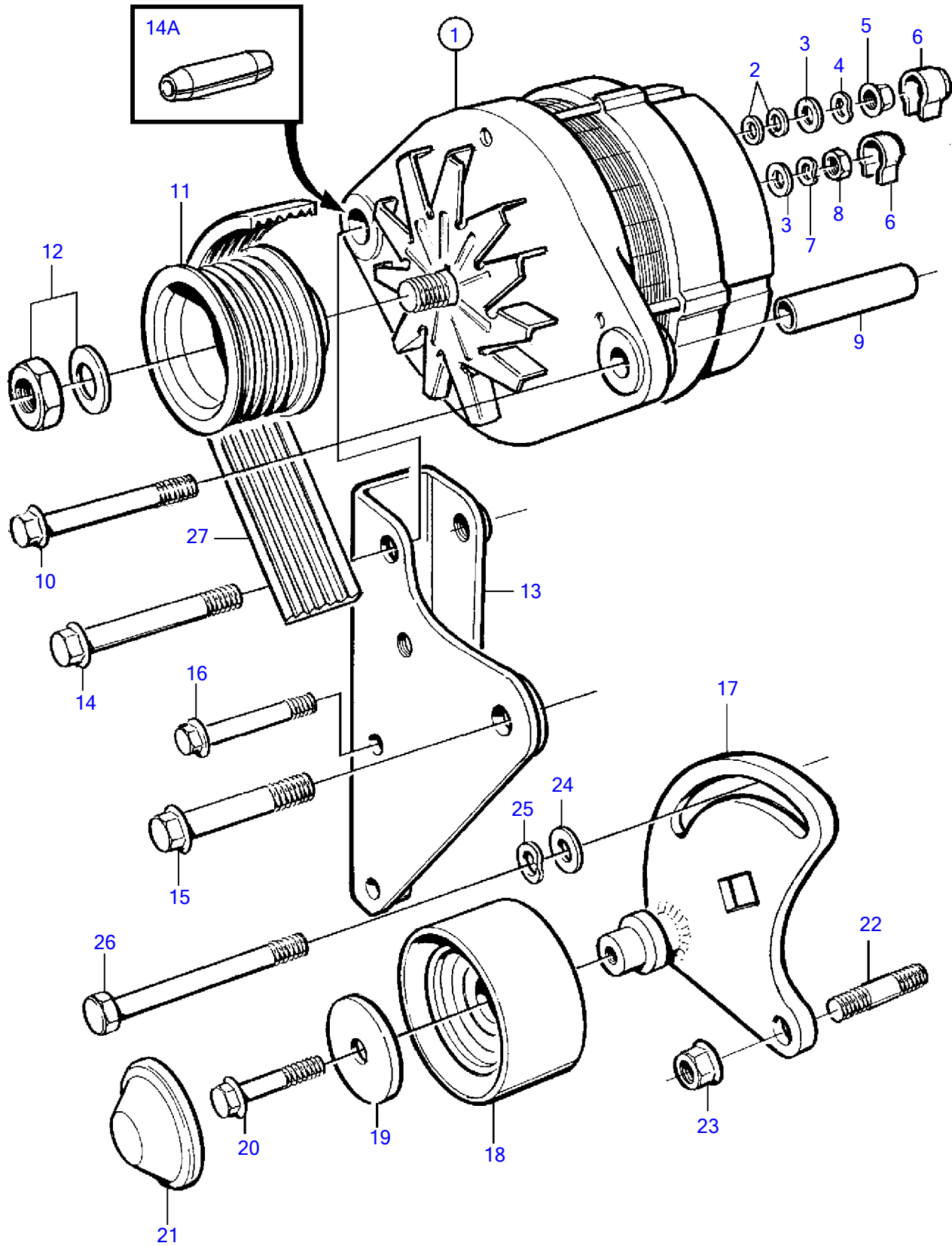


TAMD63L-A, TAMD63P-A



TAMD63L-A, TAMD63P-A

REF	PART NO.	QTY	DESCRIPTION	SEE SEC.	NOTES
1	872235	1	Alternator		12V
	3803260	1	Alternator, exch, exch		12V
			.		
			.	448	
	872927	1	Alternator		24V
	3803619	1	Alternator, exch, exch		24V
			• parts not sold separately		
2	940090	2	Washer		
3	976943	2	Washer		
4	941905	1	Spring washer		
5	945407	1	Flange nut		
6	(1234326)	2	Protecting casing		Obsolete part
7	949607	1	Spring washer		
8	955781	1	Hexagon nut		
9	823494	1	Spacer sleeve		
10	965181	1	Flange screw		
11	866220	1	Pulley		
12	6212688	1	Mounting kit		
13	866219	1	Bracket		
14	947790	1	Flange screw		
14A	1610144		Spring pin		Alt
15	965195	1	Flange screw		
16	965180	2	Flange screw		
17	866654	1	Bracket		
18	3154314	1	Idler pulley		
19	1675387	1	Washer		
20	945444	1	Flange screw		
21	1675386	1	Protecting cover		
22	953067	1	Stud		
23	971098	1	Flange lock nut		
24	976945	1	Washer		(960148)
25	941908	1	Spring washer		
26	970961	1	Hexagon screw		
27		1	Drive belt	569	