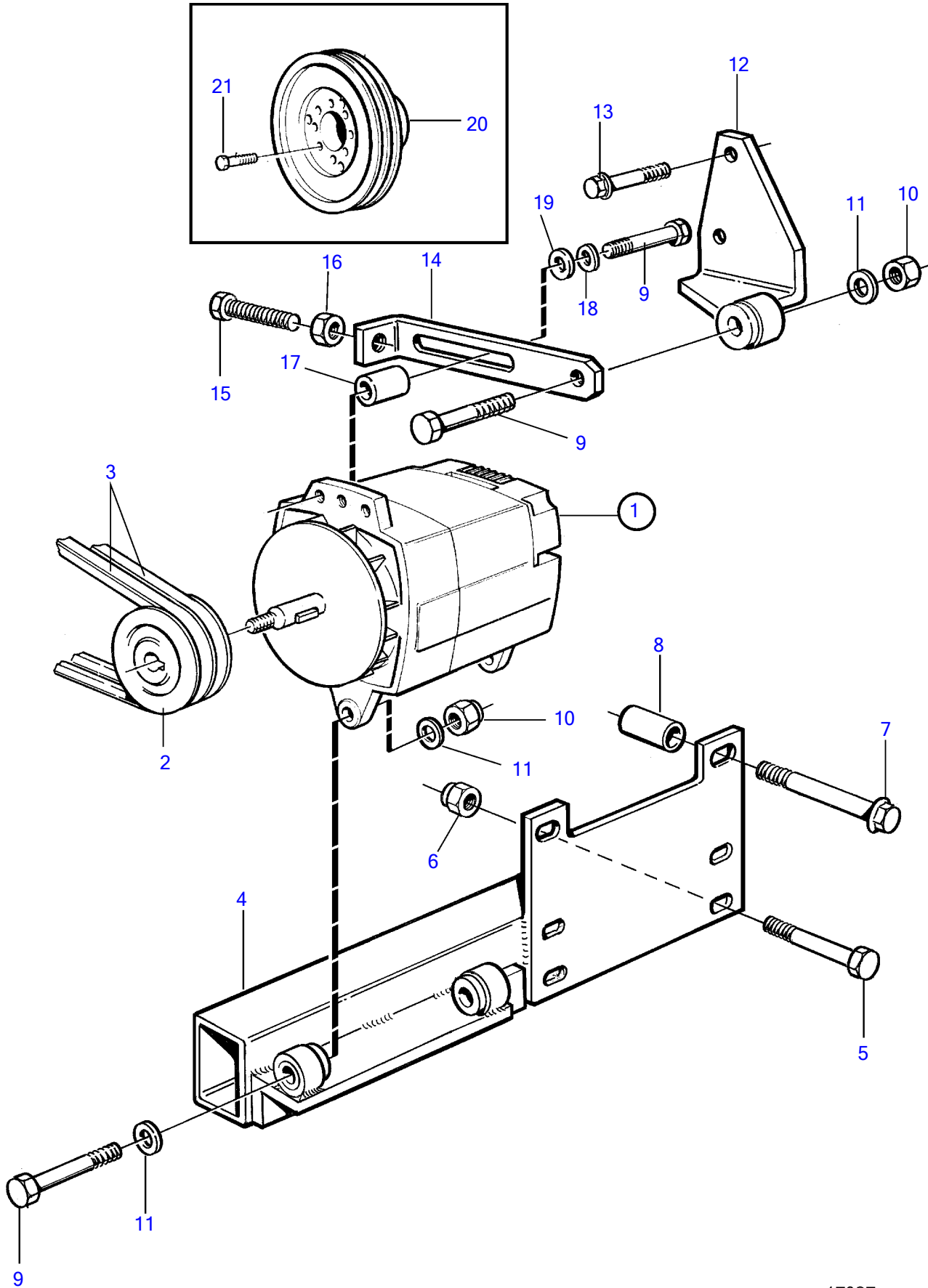


TAMD63L-A, TAMD63P-A



TAMD63L-A, TAMD63P-A

REF	PART NO.	QTY	DESCRIPTION	SEE SEC.	NOTES
1	849747	1	Alternator		For 12 voltage electric system., 14V 130A
	3803577	1	Alternator, exch		For 12 voltage electric system., 14V 130A
			.		
			.	594	
	(849748)	1	Alternator		For 24 voltage electric system., 28V 100A, Obsolete part
	(3803499)	1	Alternator, exch, exch		For 24 voltage electric system., 28V 100A, Obsolete part
			.		
			.	596	
2	862355	1	Pulley		
3	966391	1	V-belt		
4	3825340	1	Alternator bracket		
5	965188	4	Flange screw		
6	971083	4	Lock nut		
7	965197	2	Flange screw		
8	824334	2	Spacer sleeve		
9	955566	4	Hexagon screw		
10	(946637)	3	Lock nut		Obsolete part
11	955897	5	Washer		
12	3825349	1	Bracket		
13	973924	2	Flange screw		
14	849791	1	Tensioner		
15	973246	1	Hexagon screw		
16	971071	1	Hexagon nut		
17	842406	1	Sleeve		
18	940280	1	Spring washer		
19	955897	1	Washer		
20	848378	1	Pulley		
21	465840	8	Screw		