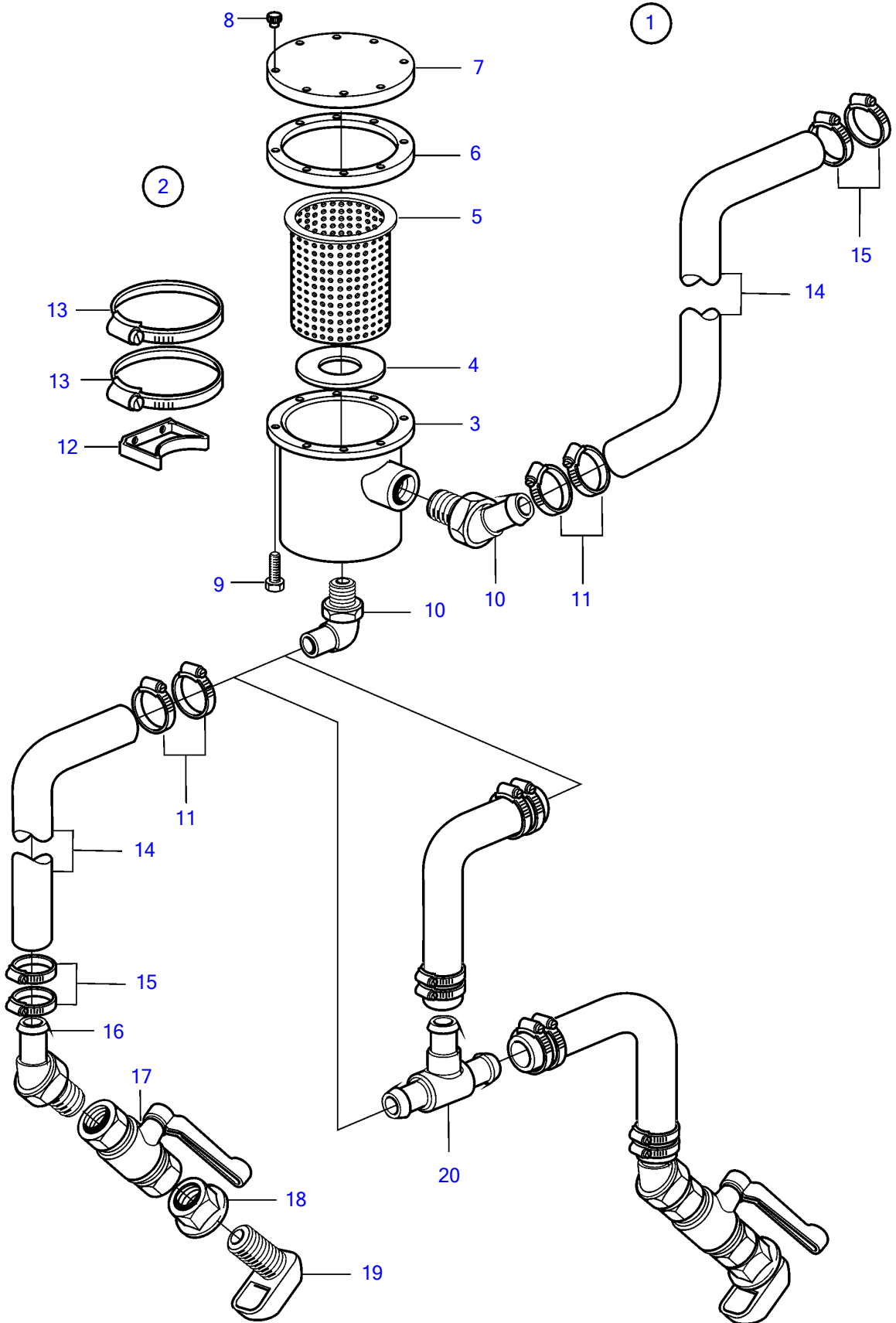


TAMD63L-A, TAMD63P-A



## TAMD63L-A, TAMD63P-A

REF	PART NO.	QTY	DESCRIPTION	NOTES
1	862199	1	Sea water filter	
2	842466	1	• Sea water filter	
3		1	• • Housing	
4			• • Gasket	Included in gasket kit 3589331
5	843358	1	• • Filter	
6			• • Gasket	Included in gasket kit 3589331
7	843359	1	• • Cardboard tube	
8	843357	8	• • Nut	
9	(843362)	8	• • Screw	Obsolete part
10	(849571)	2	• Hose attachment	Obsolete part
11	961672	4	• Hose clamp	
12	828061	2	• Retainer	
13	961678	2	• Hose clamp	
14	848327	X	Hose	
15	961673	4	Hose clamp	
16	848420	1	Hose connection	
17	3837938	1	Ball valve	
18	848323	1	Flange nut	
19	848321	1	Strainer	
20	848669	1	T-pipe	Used when two sea water intake are installed.