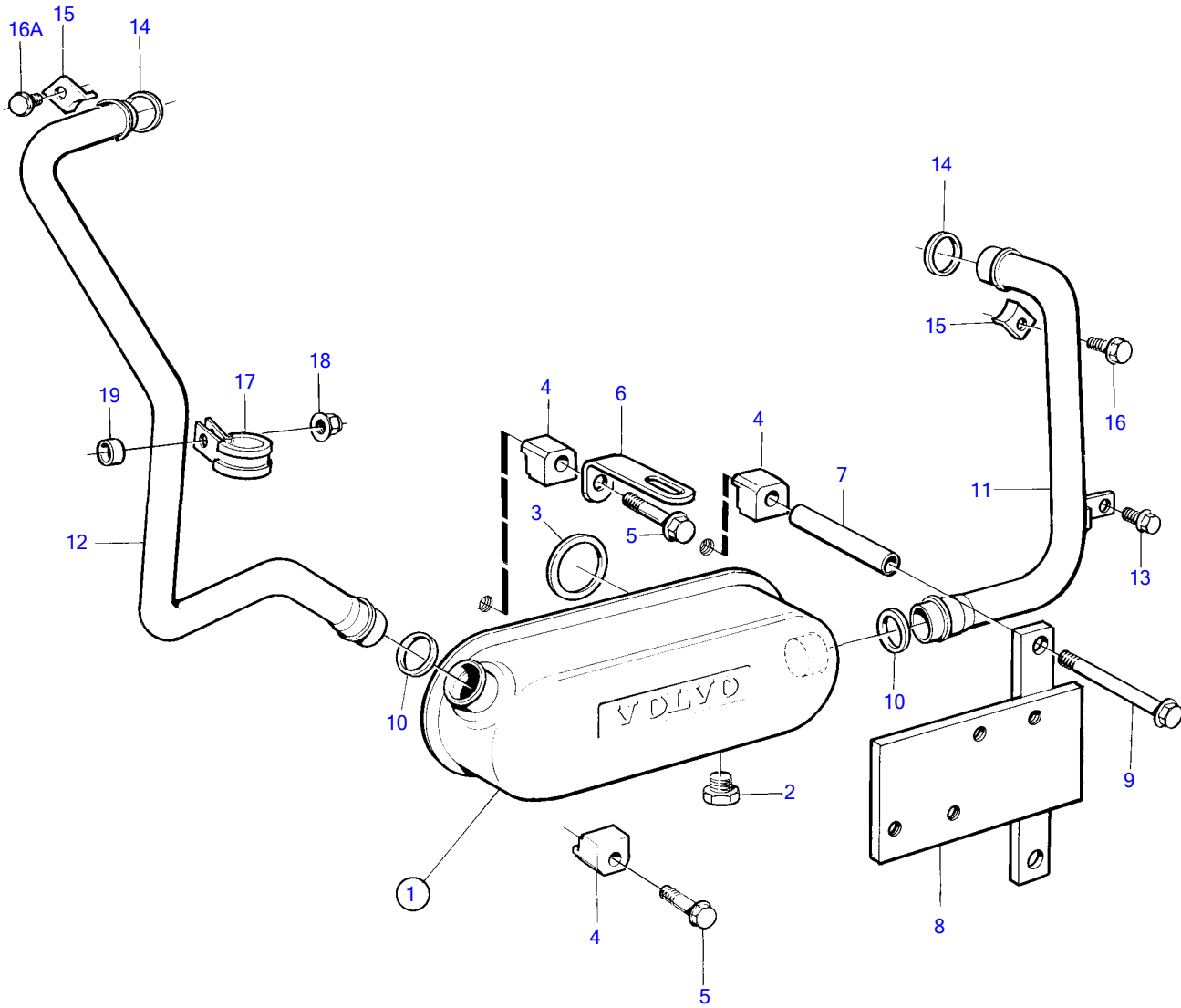


TAMD63L-A, TAMD63P-A



16219

TAMD63L-A, TAMD63P-A

| REF | PART NO. | QTY | DESCRIPTION | NOTES |
|-----|----------|-----|-----------------|--------------------------------|
| 1 | 863146 | 1 | Oil cooler | Replaced by 866539 |
| | 866539 | 1 | Oil cooler | |
| 2 | 981749 | 1 | • Plug | |
| 3 | 471467 | 2 | Sealing ring | |
| 4 | 471804 | 4 | Retainer | |
| 5 | 965186 | 2 | Flange screw | L=50mm |
| 6 | 965559 | 1 | Bracket | |
| 7 | 3962122 | 2 | Spacer sleeve | |
| 8 | 3826159 | 1 | Bracket | |
| 9 | 968237 | 2 | Flange screw | L=120mm |
| 10 | 1543579 | 2 | Sealing ring | |
| 11 | 866642 | 1 | Coolant pipe | Cylinder block-oil cooler. |
| 12 | 866643 | 1 | Coolant pipe | Thermostat housing-oil cooler. |
| 13 | 946440 | 1 | Flange screw | M8x16mm |
| 14 | 471637 | 2 | Sealing ring | |
| 15 | 421654 | 2 | Clamp | |
| 16 | 946440 | 1 | Flange screw | M8x16mm |
| 16A | 949846 | 1 | Flange screw | Tapping screw. |
| 17 | 947827 | 1 | Clamp | |
| 18 | 971098 | 1 | Flange lock nut | M10 |
| 19 | 823575 | 1 | Spacer sleeve | |