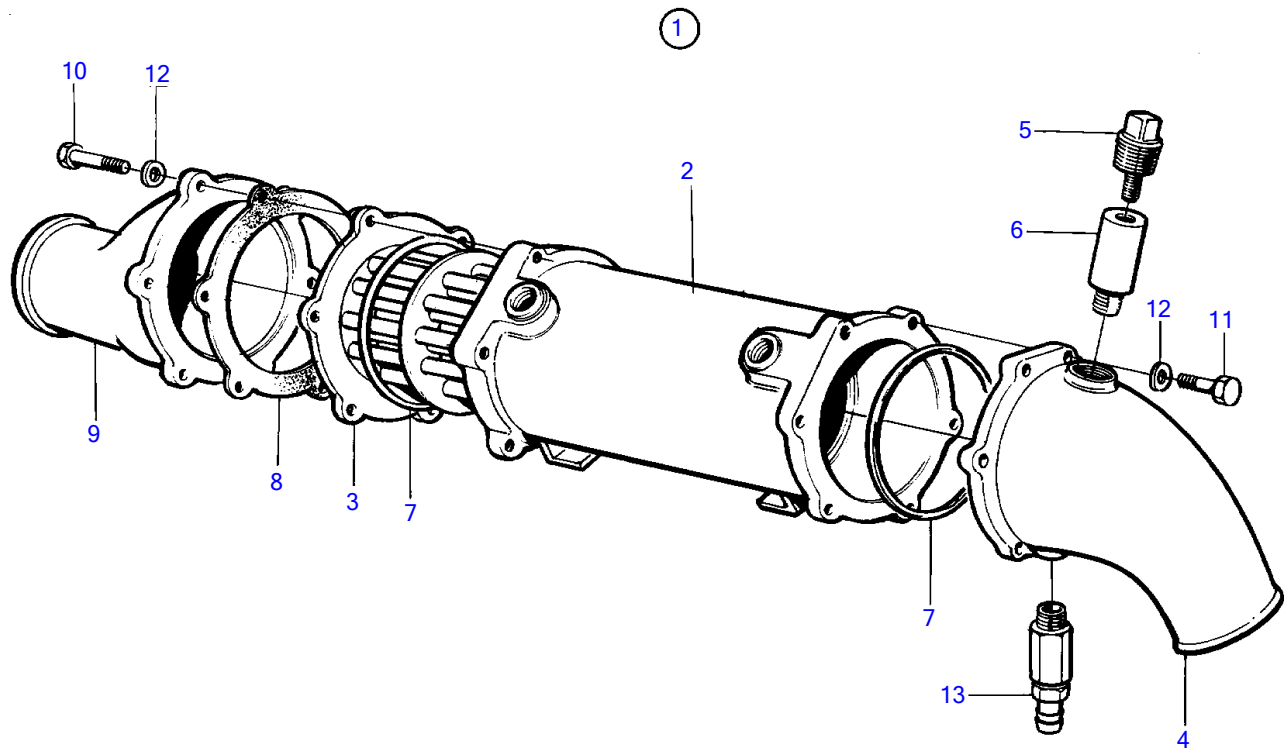


TAMD63L-A, TAMD63P-A



15214

TAMD63L-A, TAMD63P-A

| REF | PART NO. | QTY | DESCRIPTION     | NOTES         |
|-----|----------|-----|-----------------|---------------|
| 1   |          | 1   | Oil cooler      |               |
| 2   | 863259   | 1   | • Housing       |               |
| 3   | 3825938  | 1   | • Insert        |               |
| 4   | (837129) | 1   | • End cover     | Obsolete part |
| 5   | 838928   | 1   | • Plug          |               |
| 6   | 838929   | 1   | • Anode         |               |
| 7   | 1542783  | 2   | • O-ring        |               |
| 8   | 3883338  | 1   | • Gasket        |               |
| 9   | 806580   | 1   | • End plate     |               |
| 10  | 955274   | 6   | • Hexagon screw |               |
| 11  | 955272   | 6   | • Hexagon screw |               |
| 12  | 949607   | 12  | • Spring washer |               |
| 13  | 966871   | 1   | • Shut-off cock |               |