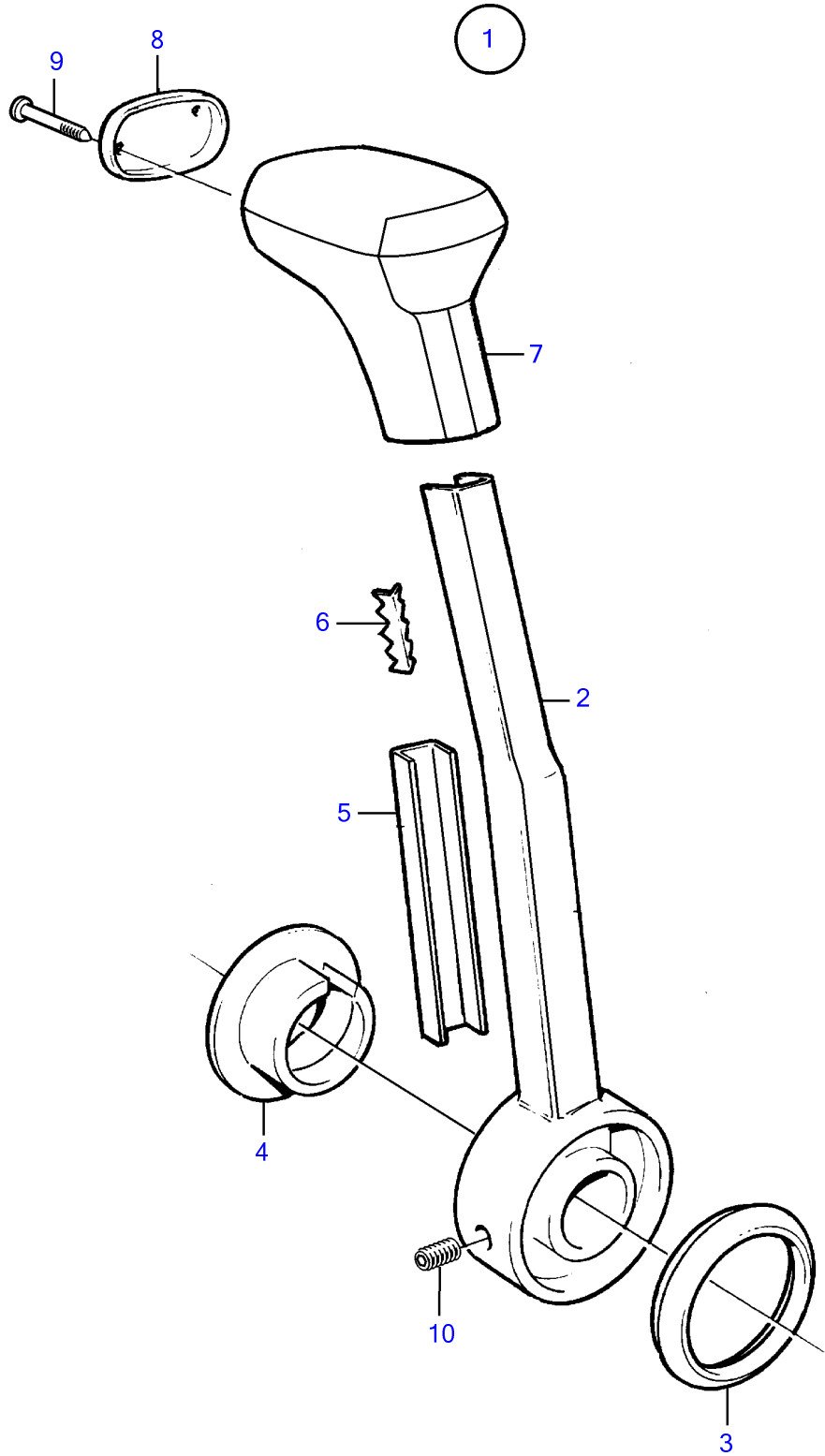


TAMD63L-A, TAMD63P-A



TAMD63L-A, TAMD63P-A

REF	PART NO.	QTY	DESCRIPTION	NOTES
1	852347	1	Hand lever	
2	828911	1	• Hand lever	
3	852995	1	• Ring	
4	853004	1	• Push button	
5	852991	1	• Rail	
6	853000	1	• Striker plate	
7	852989	1	• Handle	
8	3818554	1	• Cardboard tube	(852992)
9	853003	2	• Nail	
10	963678	1	• Hex. socket screw	