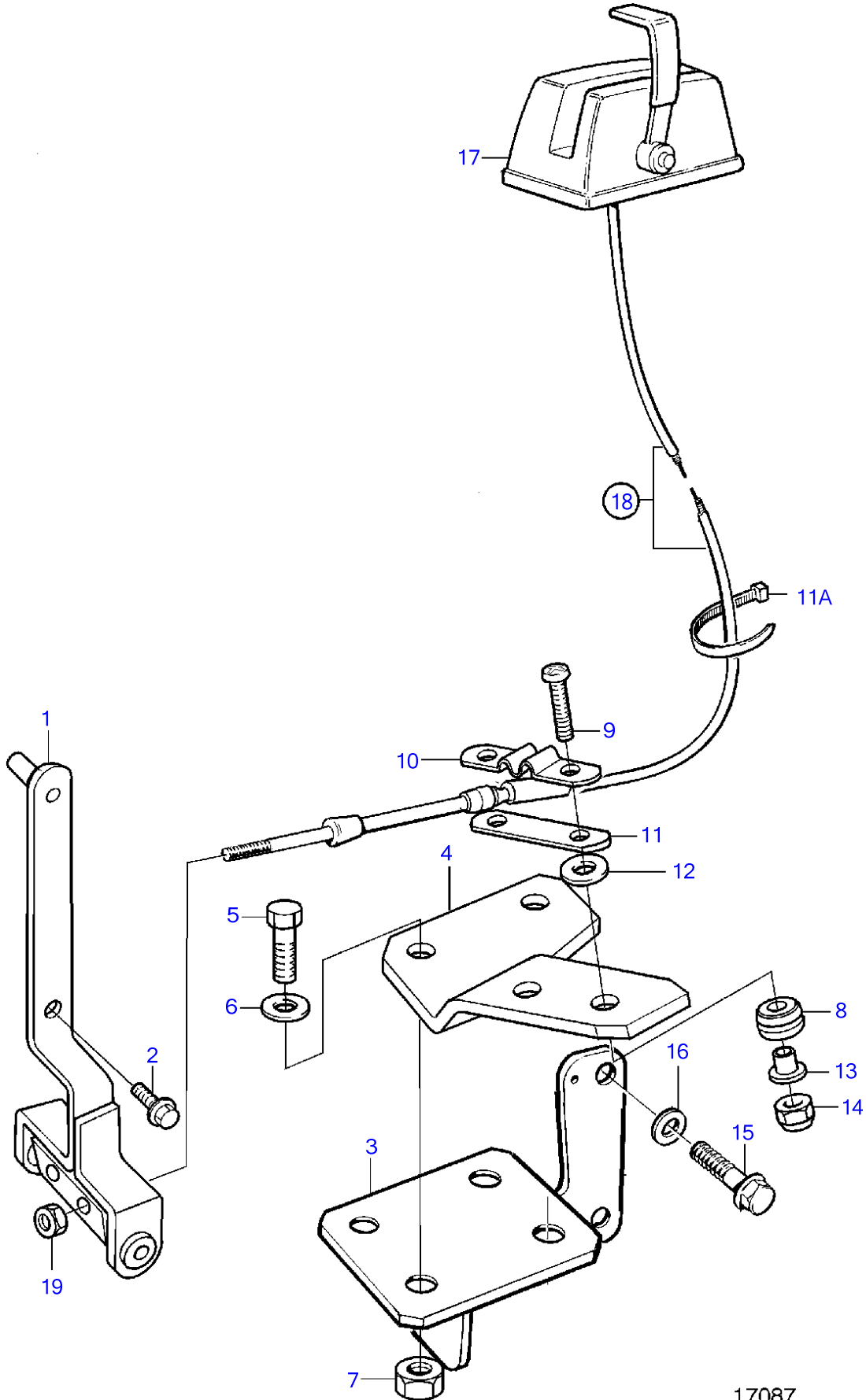


TAMD63L-A



TAMD63L-A

REF	PART NO.	QTY	DESCRIPTION	SEE SEC.	NOTES
1	3825214	1	Intermediate lever		
2	955272	1	Hexagon screw		
3	866652	1	Bracket		
4	3825293	1	Bracket		
5	946329	2	Flange screw		
6	190509	2	Washer		
7	971098	2	Flange lock nut		
8	824834	2	Bushing		
9	956080	2	Cross recessed screw		
10	850182	1	Cable attachment		
11	(850183)	1	Spacer		Obsolete part
11A	948211	X	Cable tie		
12	960138	2	Washer		
13	824830	2	Spacer sleeve		
14	963104	2	Lock nut		
15		2	Screw		See group 21
16		2	Washer		See group 21
17		X	Control	264	
18		X	Control cable	231	
19		X	• Nut		