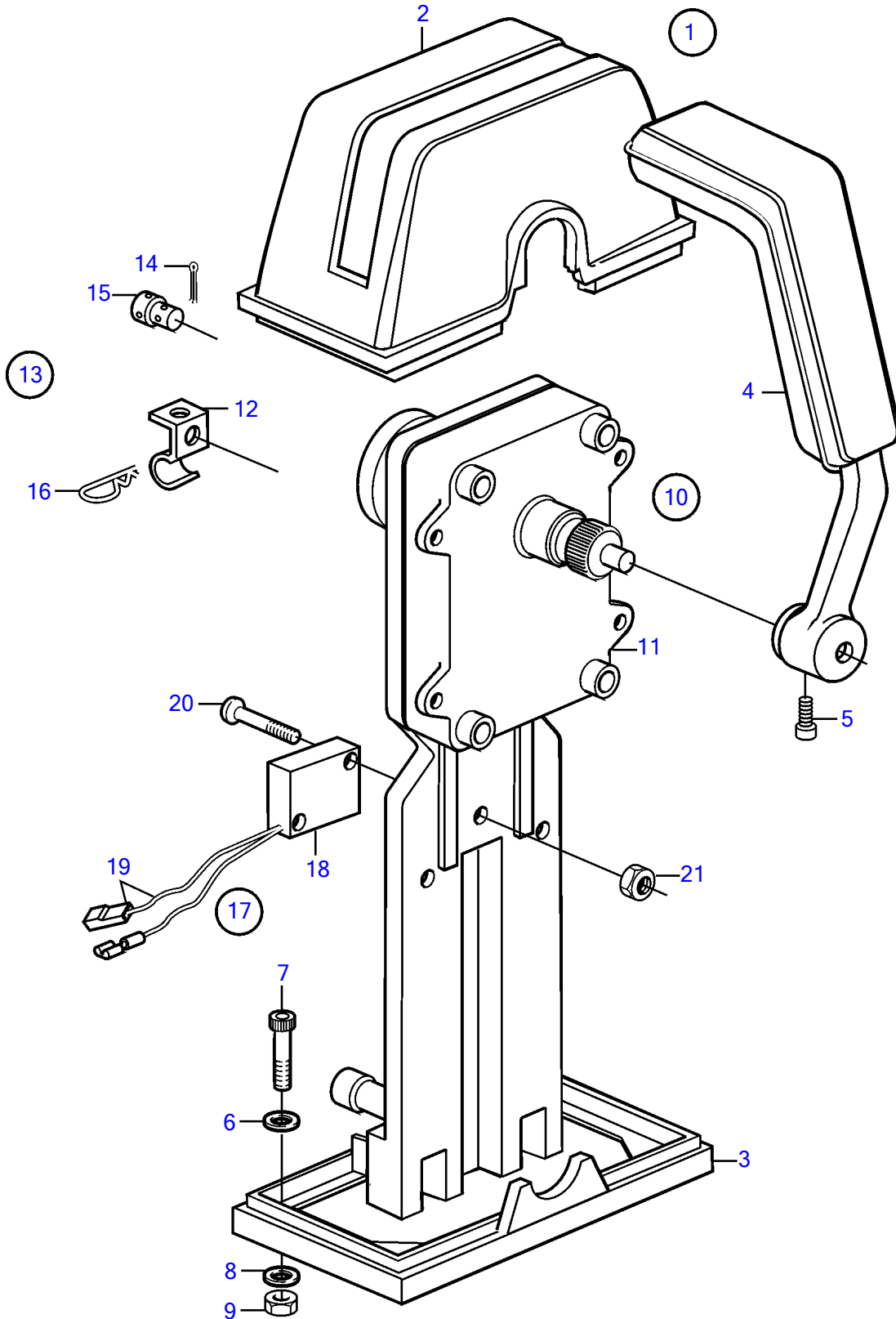


TAMD63L-A, TAMD63P-A



TAMD63L-A, TAMD63P-A

REF	PART NO.	QTY	DESCRIPTION	SEE SEC.	NOTES
1	851602	1	Mounting kit		For single installation.
2	850823	1	• Cover		
3	839474	1	• Plate		
4	839475	1	• Hand lever		
5	839693	1	• Lock screw		
6	940090	2	• Washer		
7	947671	4	• Hex. socket screw		
8	960138	4	• Washer		
9	955780	4	• Hexagon nut		
10	851600	1	Control		
11	(851666)	1	• Control mechanism		Obsolete part
12	853423	1	• Retainer		
13	(851712)	1	• Connector kit		Obsolete part
14	17253	2	• • Split pin		
15	839638	2	• • Cube		
16	852924	1	• • Clip		
17	855352	1	Neutral position con		
18	850200	1	• Toggle switch		
19		X	• • cables and terminals	1963	
20	946177	2	• Cross recessed screw		
21	947536	2	• Hexagon nut		