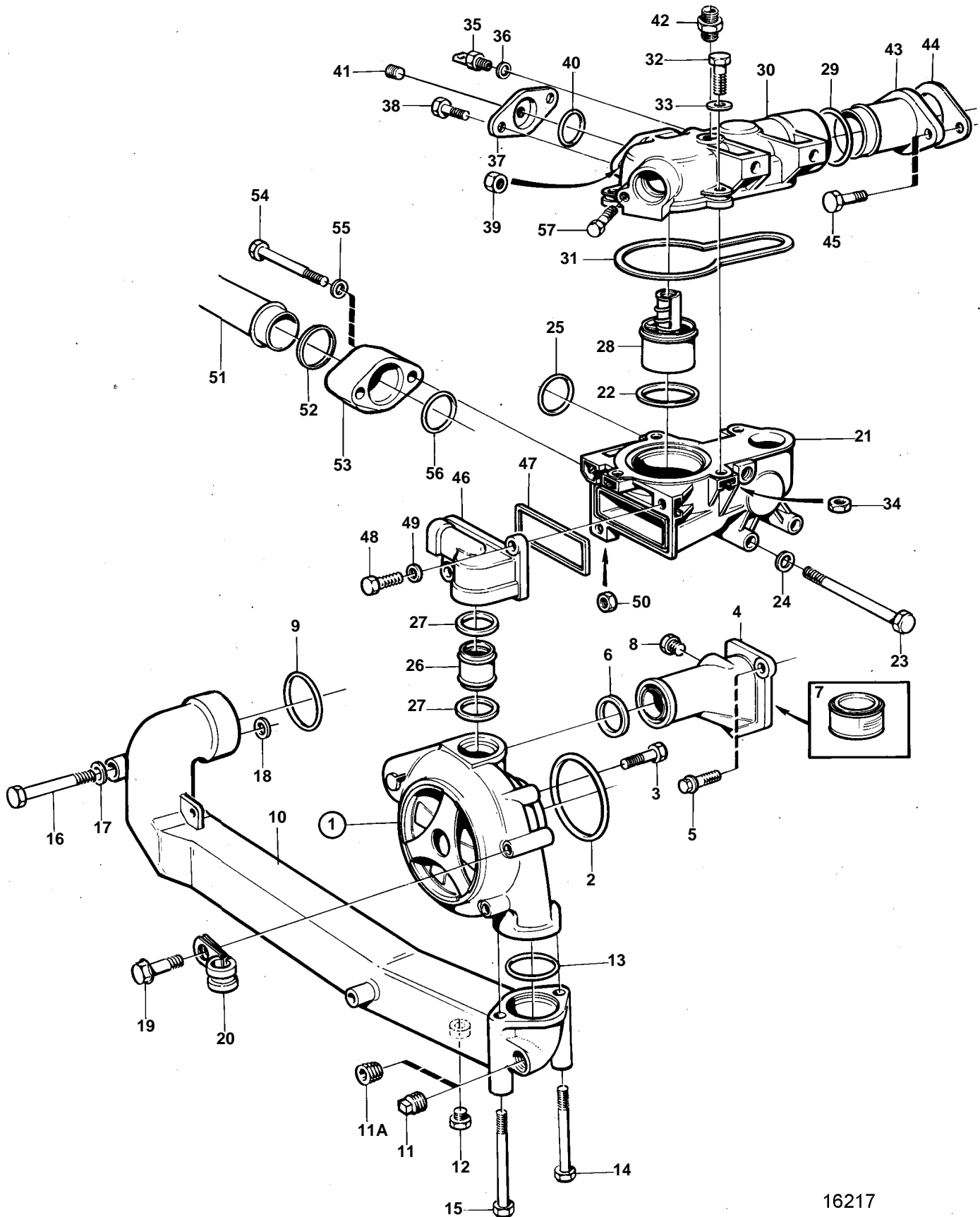


TAMD61A, TAMD62A



16217

TAMD61A, TAMD62A

REF	PART NO.	QTY	DESCRIPTION	SEE SEC.	NOTES
1	465884	1	Water pump		SN-XXXXXXXXXX/46629
				570	REPLACED BY 420759
	420759	1	Water pump		REPLACED BY 477770
				570	
	477770	1	Circulation pump		REPLACED BY 8192050
				1215	
	8192050	1	Circulation pump		
				1215	
2	925095	1	O-ring		
3	965190	4	Screw		
4	420561	1	Intermediate section		
5	945444	2	Flange screw		
6	471629	1	Sealing ring		
7	1161231	X	Sealant		304ml
8	968145	1	Plug		
9	864723	1	Sealing ring		
10	849528	1	Coolant pipe		Circulation pump-heat exchanger.
11	952358	1	Plug		EARLY TYPE
11A	479977	1	Plug		LATE TYPE (952077)
12	861551	1	Plug		(192134)
13	925092	1	O-ring		
14	965218	1	Screw		
15	965183	1	Flange screw		
16	970989	1	Screw		
17	940280	1	Spring washer		
18	955898	1	Washer		EARLY TYPE
19	946440	1	Flange screw		
20	949747	1	Clamp		
21	876628	1	Thermostat housing		
22	1544710	1	Sealing ring		
23	965189	3	Flange screw		
24	941908	3	Spring washer		
25	477059	1	O-ring		
26	465886	1	Tube		
27	469982	2	Sealing ring		
28	1661993	1	Thermostat		75°C
29	469982	1	Sealing ring		
30	477905	1	Cover		(420758)
31	471788	1	Sealing ring		
32	946470	4	Flange screw		
33	941907	4	Spring washer		
34	955782	4	Nut		
35		1	Temperature sensor		SEE GROUP 30
36	11998	1	Gasket		(947624)
37	471705	1	Flange		
38	945444	2	Flange screw		
39	955782	2	Nut		
40	949658	1	O-ring		
41	479977	1	Plug		(952077)
42	954378	1	Fitting	517	
43	848165	1	Tube		
44	848163	1	Gasket		
45	946544	2	Flange screw		
46	471822	1	Housing		
47	471816	1	Sealing ring		
48	945444	2	Flange screw		
49	941907	2	Spring washer		
50	955782	4	Nut		
51	848476	1	Coolant pipe		Thermostat housing-heat exchanger.
52	466740	1	Sealing ring		
53	848690	1	Flange		
54		2	Screw		
55	941907	2	Spring washer		

