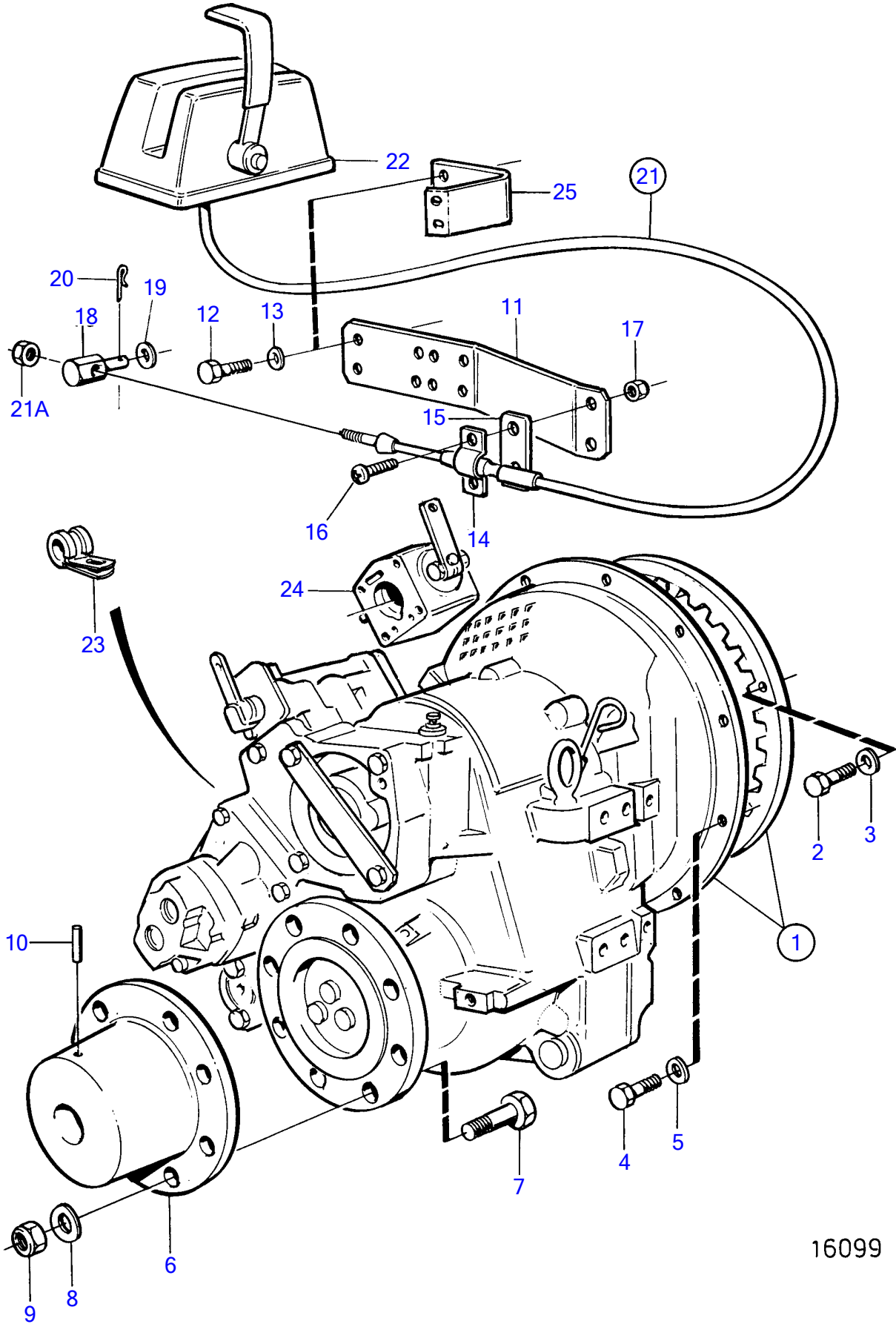


TAMD122A



16099

TAMD122A

REF	PART NO.	QTY	DESCRIPTION	NOTES
1		1	Reversing gear • parts not sold separately	Ratio 1.5:1,1.9:1,2.4:1
2	956619	8	Hex. socket screw, l=57mm	SN-1101045954/XXXXXX
		8	Screw, l=83mm	SN1101045955/XXXXXX- SN-1101050532/XXXXXX
	955560	8	Hexagon screw, l=25mm	SN1101050533/XXXXXX-
3	940280	8	Spring washer	
4	940134	12	Hexagon screw	
5	941909	12	Spring washer	
6	844765	1	Clutch flange	
7	(955763)	8	Hexagon screw	L=70mm, for 955888, Obsolete part
	955764	8	Hexagon screw	L=76mm, for 950380
8	(941915)	8	Spring washer	Obsolete part
9	950380	8	Lock nut	
10	(965011)	2	Pin	Obsolete part
11	863123	1	Bracket	
12	955524	2	Hexagon screw	
13	941907	2	Spring washer	
14	21471054	1	Bracket	For control cable type 333.
	6853782	1	Cable clamp	For control cable type 443.
15	819068	1	Washer	
16	956079	2	Cross recessed screw	
17	963104	2	Lock nut	
18	853217	1	Cube	
19	940191	1	Washer	
20	907824	1	Split pin	
21		X	Control cable	See group 27
21A		1	• Nut	
22		X	Control	See group 27
23	949746	1	Clamp	For cable, oil pressure sensor., (946834)
24	(863145)	1	Slip valve	Obsolete part
25	(863124)	1	Bracket	When trolling valve is installed., Obsolete part