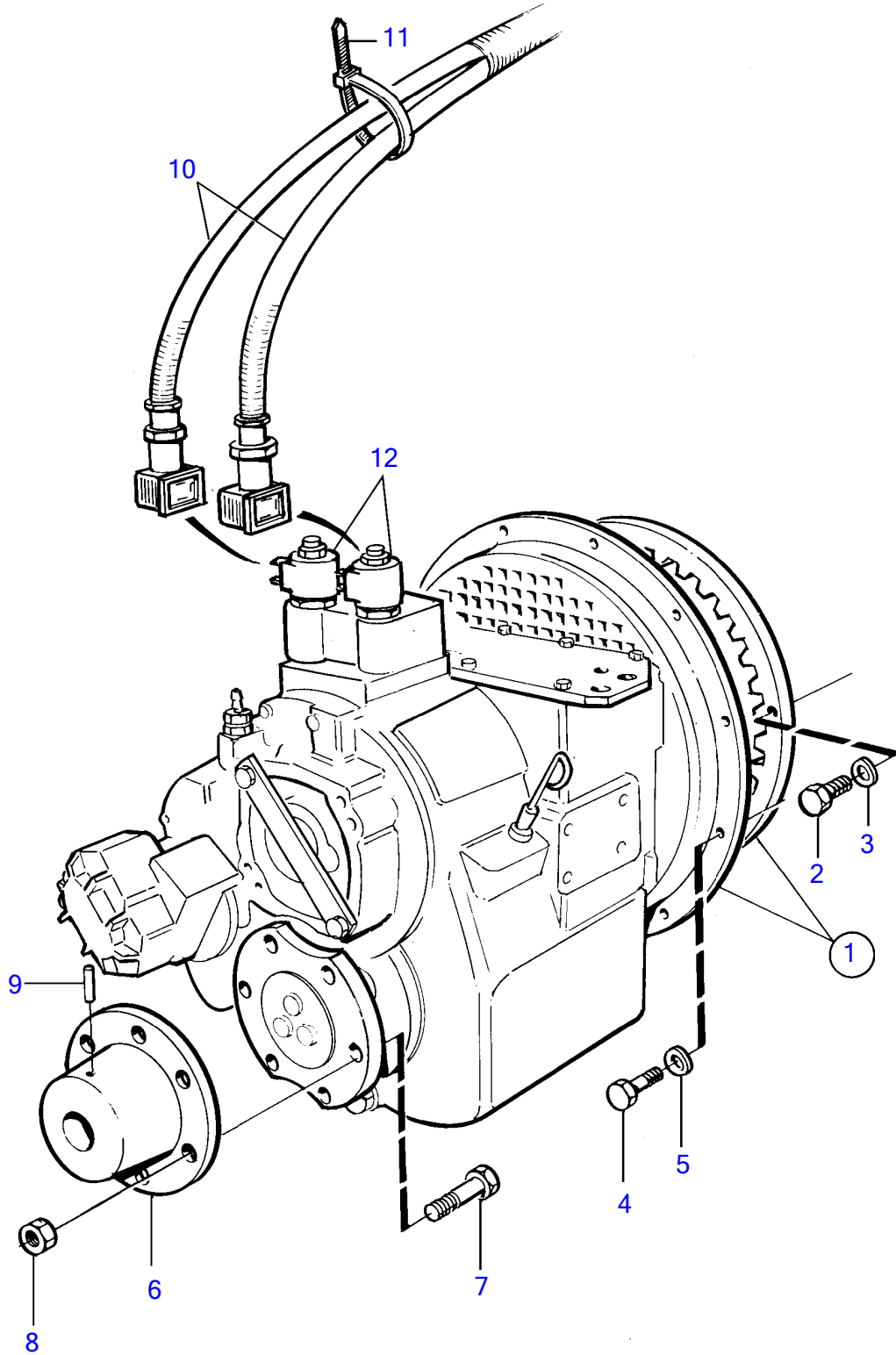


TAMD122P-B



TAMD122P-B

REF	PART NO.	QTY	DESCRIPTION	NOTES
1		1	Reversing gear	Ratio 2.0:1
		1	Reversing gear	Ratio 2.5:1
			• parts not sold separately	
2	955561	8	Hexagon screw	
3	940280	8	Spring washer	
4	940134	12	Hexagon screw	
5	941909	12	Spring washer	
6	844765	1	Clutch flange	
7	955764	8	Hexagon screw	
8	950380	8	Lock nut	
9		1	Pin	
10	873827	1	Cable kit	(873659)
11	948211	2	Cable tie	
12	3825654	1	Control magnet kit	