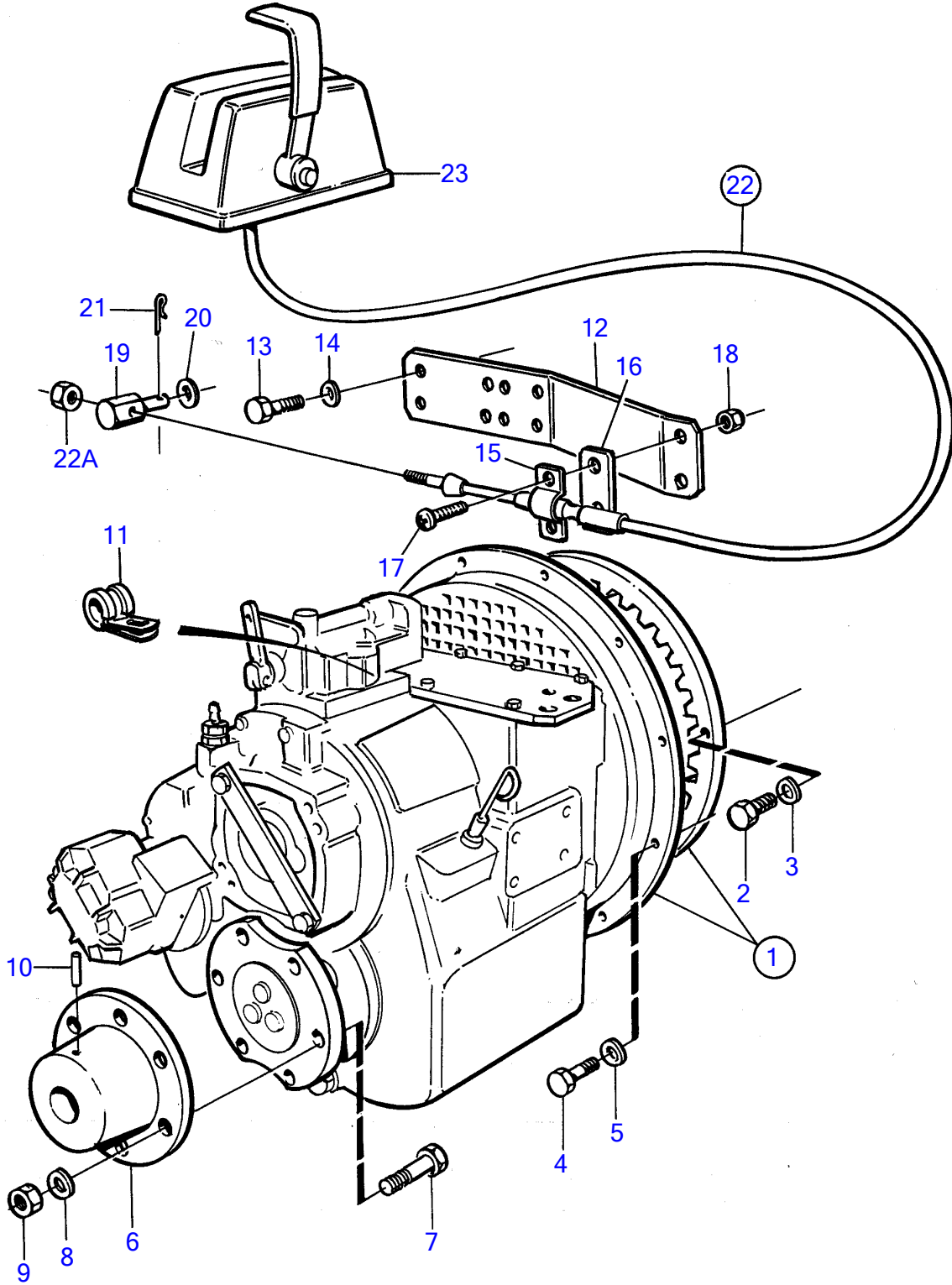


TAMD122A, TMD122A



16074

TAMD122A, TMD122A

REF	PART NO.	QTY	DESCRIPTION	NOTES
1		1	Reversing gear	Ratio 2.04:1
		1	Reversing gear	Ratio 2.45:1
		1	Reversing gear	Ratio 2.95:1
			• parts not sold separately	
2	955560	8	Hexagon screw	
3	940280	8	Spring washer	
4	940134	12	Hexagon screw	
5	941909	12	Spring washer	
6	(865434)	1	Clutch flange	Obsolete part
7	955751	6	Hexagon screw	
8	941914	6	Spring washer	Obsolete part
9	950379	6	Lock nut	
10	(965011)	2	Pin	Obsolete part
11	949746	1	Clamp	For cable, oil pressure sensor.
12	863123	1	Bracket	
13	955524	2	Hexagon screw	
14	941907	2	Spring washer	
15	21471054	1	Bracket	For control cable type 333.
	6853782	1	Cable clamp	For control cable type 443.
16	819068	1	Washer	
17	956079	2	Cross recessed screw	
18	963104	2	Lock nut	
19	853217	1	Cube	
20	940191	1	Washer	
21	907824	1	Split pin	
22		X	Control cable	See group 27
22A		1	• Nut	
23		X	Control	See group 27