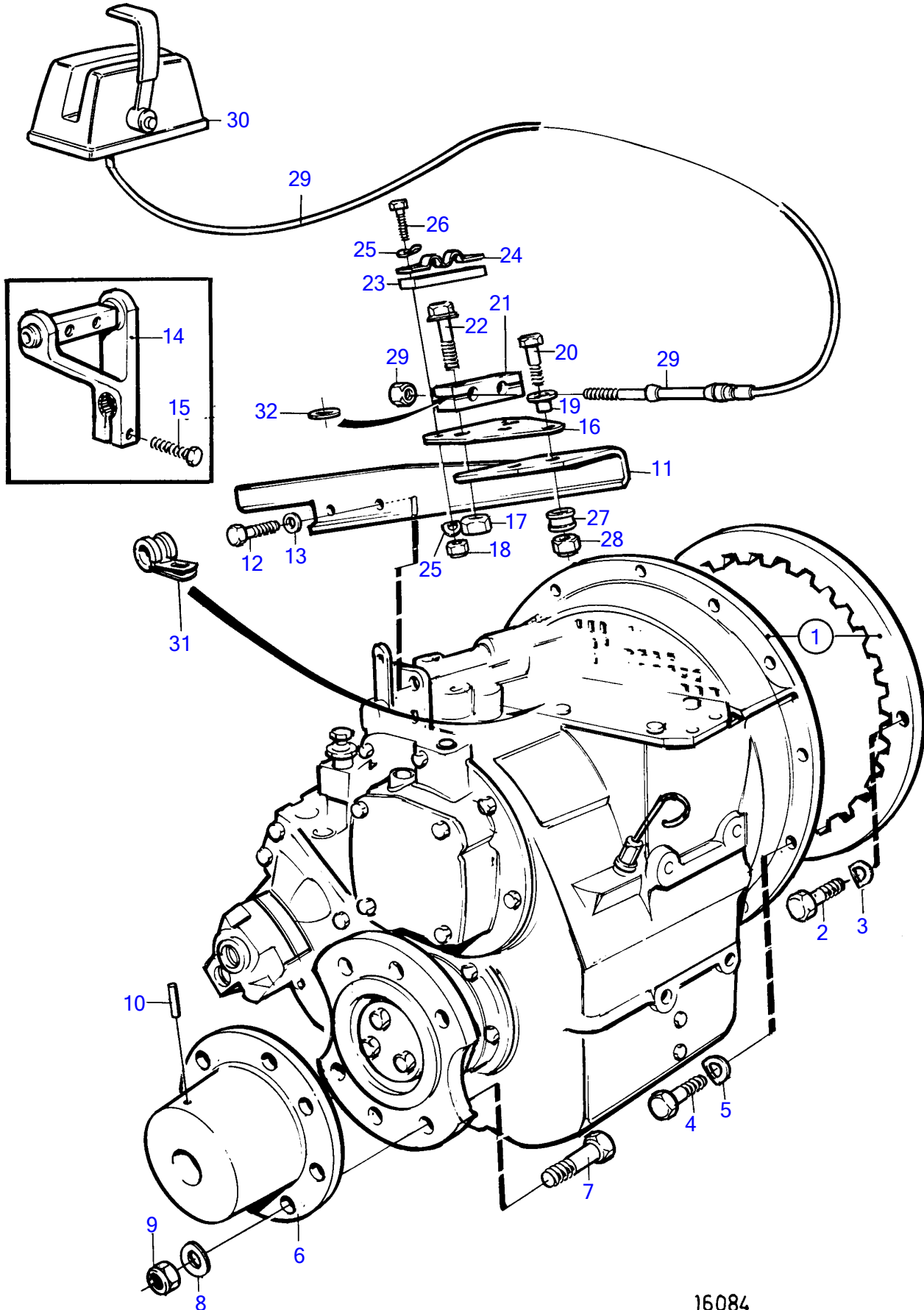


TAMD122P-A



16084

TAMD122P-A

REF	PART NO.	QTY	DESCRIPTION	NOTES
1		1	Reversing gear	Ratio: 2.04:1
		1	Reversing gear	Ratio: 2.54:1
			• parts not sold separately	
2	955560	8	Hexagon screw	
3	940280	8	Spring washer	
4	940160	12	Hexagon screw	
5	941909	12	Spring washer	
6	844765	1	Clutch flange	
7	955764	8	Hexagon screw	
8	(941915)	8	Spring washer	Obsolete part
9	950380	8	Lock nut	
10		2	Pin	
11	863603	1	Bracket	
12	946440	2	Flange screw	
13	941907	2	Spring washer	
14	863600	1	Intermediate lever	
15	947542	1	Flange screw	
16	1140270	1	Bracket	
17	963106	2	Lock nut	
18	963104	2	Lock nut	
19	824830	2	Spacer sleeve	
20	947542	2	Flange screw	
21	1140271	1	Anchorage	
22	948217	2	Flange screw	
23	1140272	1	Spacer	
24	850182	1	Cable attachment	
25	940090	2	Washer	
26	956081	2	Cross recessed screw	(955249)
27	824834	2	Bushing	
28	963105	2	Lock nut	
29		X	Control cable	See group 27
		1	• Nut	
30		X	Control	See group 27
31	949746	1	Clamp	(946834)
32	955894	1	Washer	