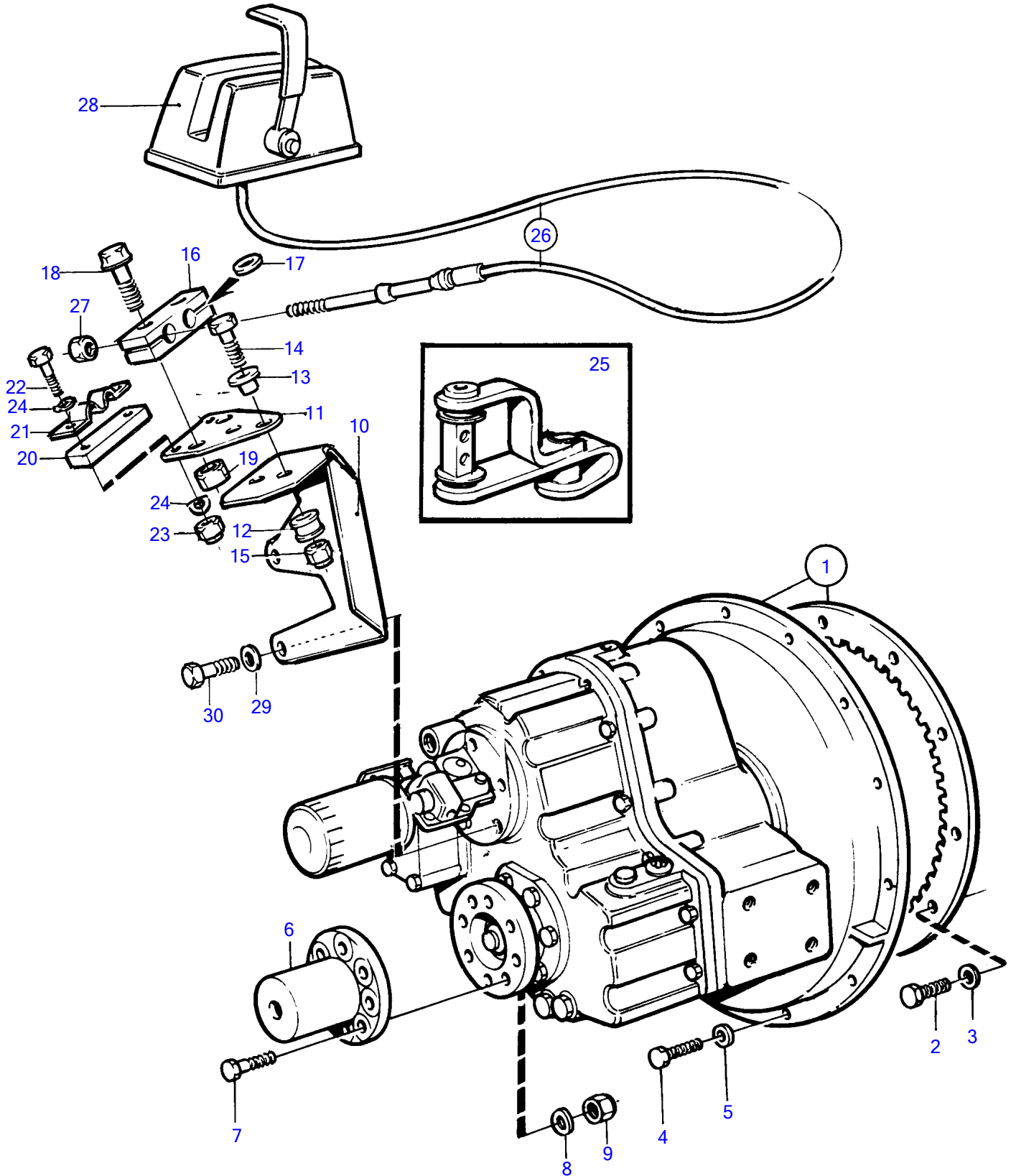


TAMD122P-A



## TAMD122P-A

REF	PART NO.	QTY	DESCRIPTION	NOTES
1		1	Reversing gear	Ratio 1.52:1
		1	Reversing gear	Ratio 1.76:1
		1	Reversing gear	Ratio 2.00:1
2	955562	8	Hexagon screw	
3	940280	8	Spring washer	
4	940134	12	Hexagon screw	
5	941909	12	Spring washer	
6	863994	1	Clutch flange	Pre-drilled 30mm. Max shaft 80mm.
7	955739	8	Hexagon screw	
8	941912	8	Spring washer	
9	950378	8	Lock nut	
10	(866924)	1	Anchorage	Repl by 3826139, Obsolete part
	(3826139)	1	Control attachment	Obsolete part
11	1140270	1	Bracket	
12	824834	2	Bushing	
13	824830	2	Spacer sleeve	
14	947542	2	Flange screw	
15	963105	2	Lock nut	
16	1140271	1	Anchorage	
17	955894	1	Washer	
18	948217	2	Flange screw	
19	963106	2	Lock nut	
20	1140272	1	Spacer	
21	850182	1	Cable attachment	
22	956081	2	Cross recessed screw	(955249)
23	963104	2	Lock nut	
24	940090	2	Washer	
25	(3825435)	1	Intermediate lever	Obsolete part
26		X	Control cable	See group 27
27		1	• Nut	
28		X	Control	See group 27
29		2	Washer	Included in complete reverse gear
30		2	Screw	Included in complete reverse gear