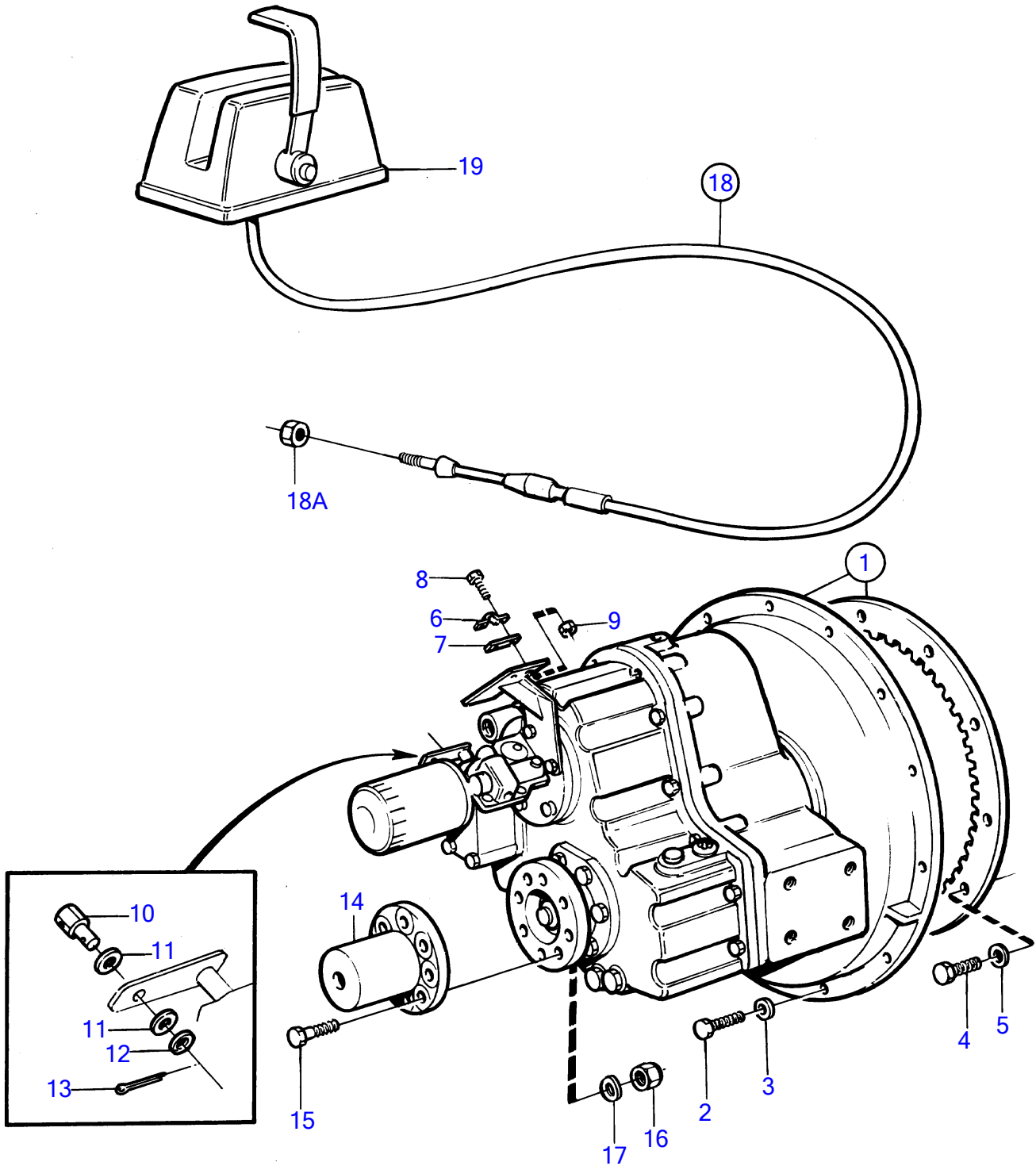


TAMD122P-A



15485

TAMD122P-A

REF	PART NO.	QTY	DESCRIPTION	NOTES
1		1	Reversing gear	Ratio 1.5:1
2	940134	12	Hexagon screw	
3	941909	12	Spring washer	
4	955562	8	Hexagon screw	
5	940280	8	Spring washer	
6	21471054	1	Bracket	For control cable type 333.
	6853782	1	Cable clamp	For control cable type 443.
7	819068	1	Washer	
8	(950022)	2	Cross recessed screw	Obsolete part
9	951672	2	Lock nut	
10	853217	1	Cube	
11	940191	2	Washer	
12	949607	1	Spring washer	
13	907824	1	Split pin	
14		1	Clutch flange	
15	955739	8	Hexagon screw	
16	950378	8	Lock nut	
17	941912	8	Spring washer	
18		X	Control cable	See group 27
18A		1	• Nut	
19		X	Control	See group 27