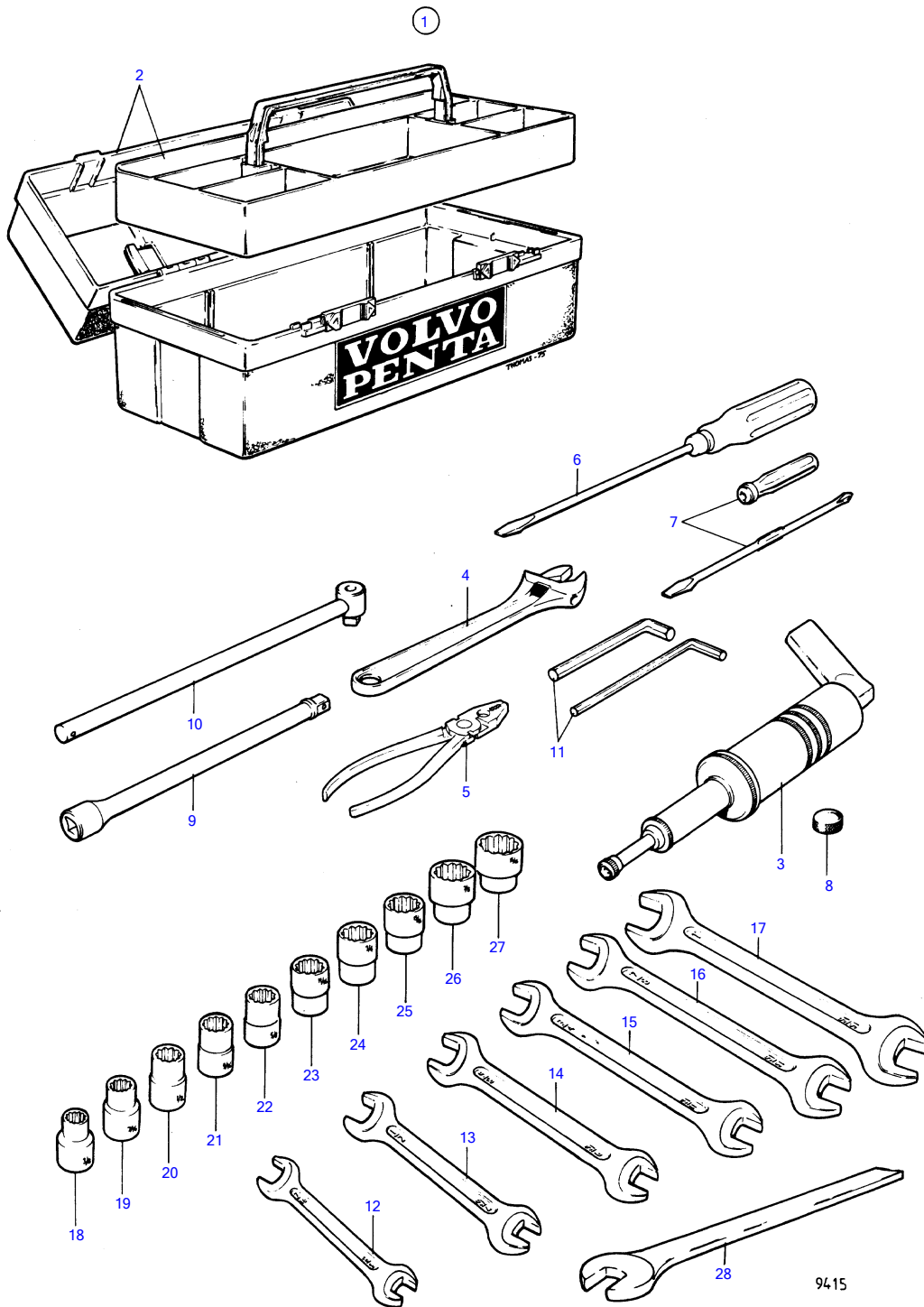


TAMD122A, TMD122A, TAMD122P-A, TAMD122P-B, TAMD122P-C



TAMD122A, TMD122A, TAMD122P-A, TAMD122P-B, TAMD122P-C

REF	PART NO.	QTY	DESCRIPTION	NOTES
1	844481	1	Tool kit	
2	3841091	1	• Tool box	
3	(750)	1	• Grease gun	Obsolete part
4	755	1	• Adjustable wrench	30mm
	3803911	1	• Alternator, exch, exch	30mm
	(962045)	1	• Adjustable wrench	19mm, Obsolete part
5	(962032)	1	• Pliers	Obsolete part
6	804771	1	• Screwdriver	L=300mm
7	(963929)	1	• Combination screwdri	Obsolete part
8	(811)	12	• Protective cap	Obsolete part
9	(880695)	1	• Extension bar	Obsolete part
10	(880694)	1	• Handle	Obsolete part
11	946804	1	• Allen wrench	5/16"
	914675	1	• Allen wrench	1/4"
12	(962066)	1	• Open-end wrench	Obsolete part, 3/8"-7/16"
13	(210144)	1	• Open-end wrench	Obsolete part, 7/16"-1/2"
14	(210145)	1	• Open-end wrench	Obsolete part, 9/16"-5/8"
15	(962070)	1	• Open-end wrench	Obsolete part, 13/16"-7/8"
16	(210146)	1	• Open-end wrench	Obsolete part, 11/16"-3/4"
17	(210149)	1	• Key	Obsolete part, 15/16"-1"
18	(9820311)	1	• Sleeve	Obsolete part, 3/8"
19	(9820314)	1	• Sleeve	Obsolete part, 7/16"
20	(9820316)	1	• Sleeve	Obsolete part, 1/2"
21	(9820318)	1	• Sleeve	Obsolete part, 9/16"
22	(9820320)	1	• Sleeve	Obsolete part, 5/8"
23	(9820321)	1	• Sleeve	Obsolete part, 11/16"
24	(9820323)	1	• Sleeve	Obsolete part, 3/4"
25	(9820324)	1	• Sleeve	Obsolete part, 13/16"
26	(9820326)	1	• Sleeve	Obsolete part, 7/8"
27	(9820327)	1	• Sleeve	Obsolete part, 15/16"
28	(962075)	1	• Open-end wrench	Obsolete part, 41mm