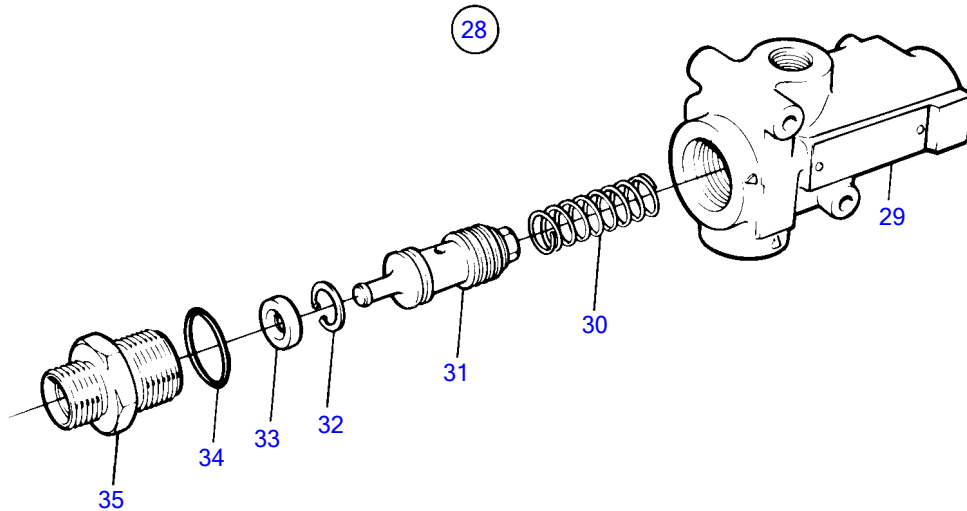
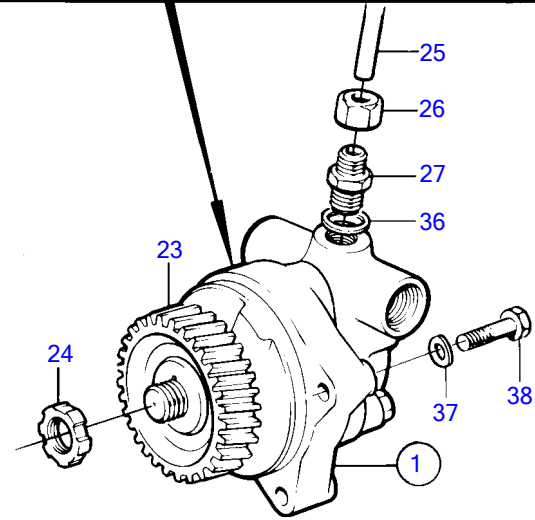
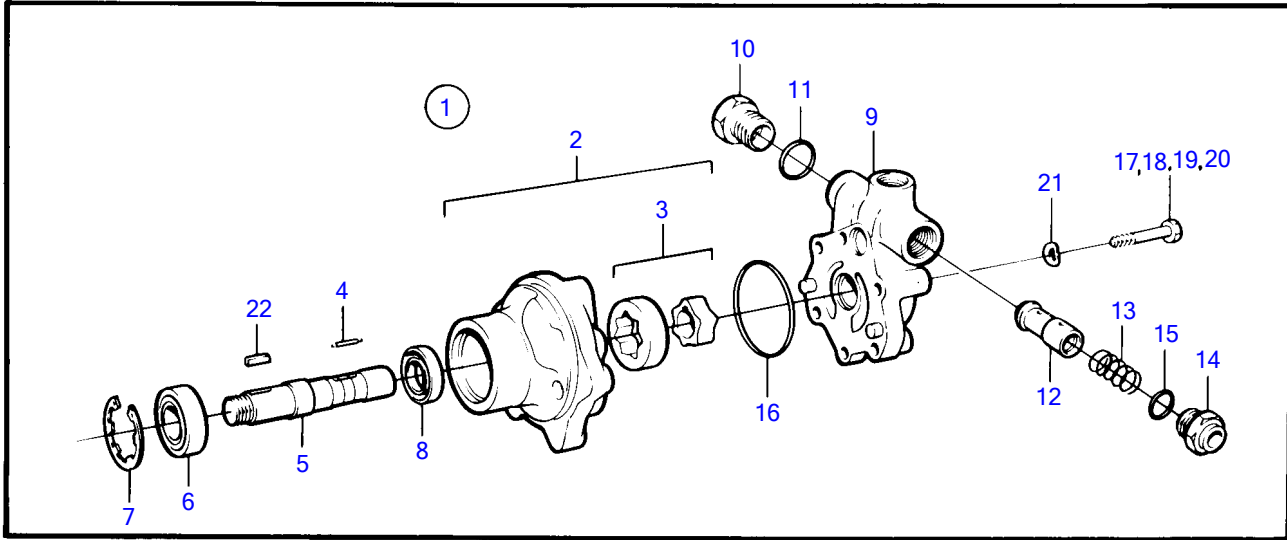


TAMD122P-A



TAMD122P-A

REF	PART NO.	QTY	DESCRIPTION	SEE SEC.	NOTES
1	(823797)	1	Hydraulic pump		Obsolete part
2	(6631726)	1	• Oil pump housing		Obsolete part
3		1	• • Rotor kit		
4	(338433)	1	• Lock pin		Obsolete part
5	6631728	1	• Shaft		
6	181786	1	• Ball bearing		
7	323472	1	• Lock ring		
8	6631727	1	• Sealing ring		
9	(6631702)	1	• Cover		Obsolete part
10	(6631703)	1	• • Plug		Obsolete part
11	958229	1	• • O-ring		
12	(6631679)	1	• Sleeve		Obsolete part
13	(6631676)	1	• Spring		Obsolete part
14	(6631678)	1	• Nipple		Obsolete part
15	958229	1	• O-ring		
16	925256	1	• O-ring		
17	970948	1	• Hexagon screw		L=30mm
18	970954	2	• Hexagon screw		L=60mm
19	970950	2	• Hexagon screw		L=40mm
20	970956	1	• Hexagon screw		L=70mm
21	941908	6	• Spring washer		
22	(6631944)	1	• Key		Obsolete part
23	(864214)	1	Gear, nitro carburized		Obsolete part
			• Bulletin 45-01	45-01-EN	Timing Gears, 71, 100, 121
24	346918	1	Nut		
25	(4910655)	1	Inlet pipe		Obsolete part
26	4910594	1	Nut		
27	(4910656)	1	Nipple		Obsolete part
28	(844276)	1	Control valve		Obsolete part
29		1	• Housing		
30		1	• Spring		
31		1	• Piston		
32		1	• Lock ring		
33		1	• Washer		
34		1	• Sealing ring		
35		1	• Nipple		
36	947628	1	Gasket		
37	942336	2	Spring washer		
38	955535	2	Hexagon screw		