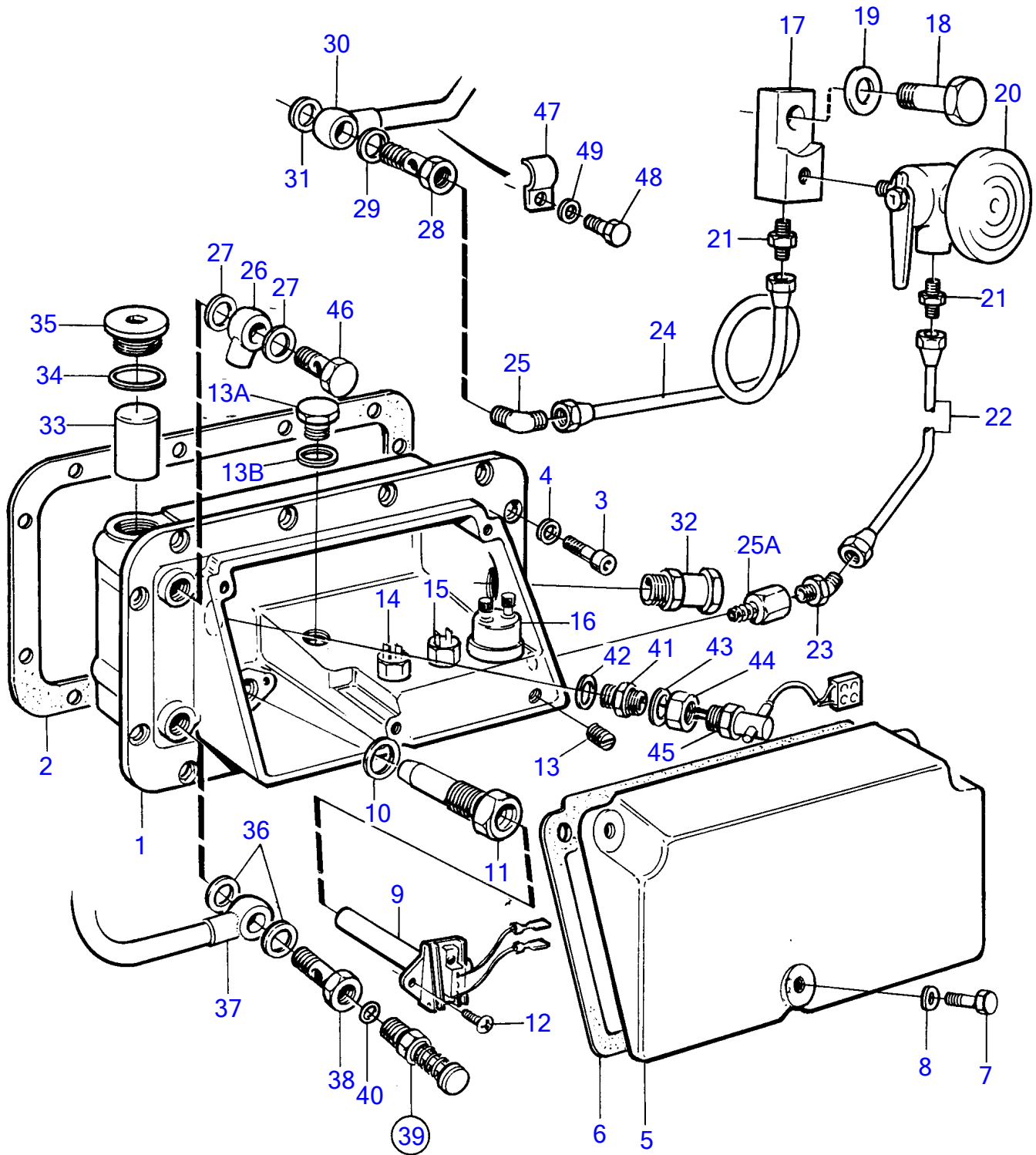


TAMD122A, TMD122A



16067

TAMD122A, TMD122A

REF	PART NO.	QTY	DESCRIPTION	SEE SEC.	NOTES
1	(845627)	1	Housing		Obsolete part
2	862597	1	Gasket		
3	956569	12	Hex. socket screw		
4	11992	12	Gasket		
5	(845708)	1	Cover		Obsolete part
6	845709	1	Gasket		
7	(846431)	3	Screw		Obsolete part
8	941906	3	Spring washer		
9	843768	1	Thermo monitor		
10	957179	1	Gasket		
11	843288	1	Sleeve		
12	956062	2	Cross recessed screw		
13	(16325)	1	Plug		Obsolete part
13A	180761	1	Plug		
13B	957179	1	Gasket		
14	864285	1	Pressure monitor, alarm		SN-1101051156/XXXXXX
	873526	1	Switch, alarm		SN1101051157/XXXXXX-
15	864284	1	Pressure monitor, stop		SN-1101051156/XXXXXX
	863169	1	Pressure monitor, stop		SN1101051157/XXXXXX-
16	881432	1	Sensor		
17	(844120)	1	Bracket		Obsolete part
18	955590	1	Hexagon screw		
19	941912	1	Spring washer		
20	836273	1	Tap		Replaced by 1 ea 3826337 valve, 1 ea 3826310 flange, 1 ea 191095 nipple.
21	954335	2	Nipple		
22	(844284)	1	Oil pipe		Obsolete part
23	831965	1	Nipple		
24	(844283)	1	Oil pipe		Obsolete part
25	954342	1	Elbow nipple		
25A	835980	1	Nipple		
26	25168	1	Banjo nipple		
27	957178	2	Gasket		
28	942008	1	Hollow screw	2140	
29	942703	1	Gasket	2140	
30	822571	1	Oil pressure pipe, oil-pressure	2140	Turbo
31	957181	1	Gasket	2140	
32	881193	1	Grommet		
33	843815	1	Float		
34	957191	1	Gasket		
35	843639	1	Plug		
36	957178	2	Gasket		
37	(847001)	1	Tube, leak off line	2106	Obsolete part
38	823417	1	Hollow screw		
39	(844770)	1	Valve		Obsolete part
40	960202	1	· O-ring		
41	843688	1	Nipple		
42	957181	1	Gasket		
43	15304	1	Gasket		
44	843640	1	Lock nut		
45	843757	1	Flow monitor		
46	25167	1	Hollow screw		
47	940374	2	Clamp		
48	956570	2	Hex. socket screw		
49	955894	2	Washer		